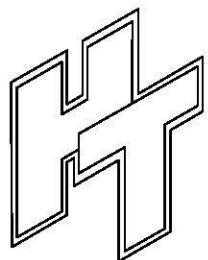
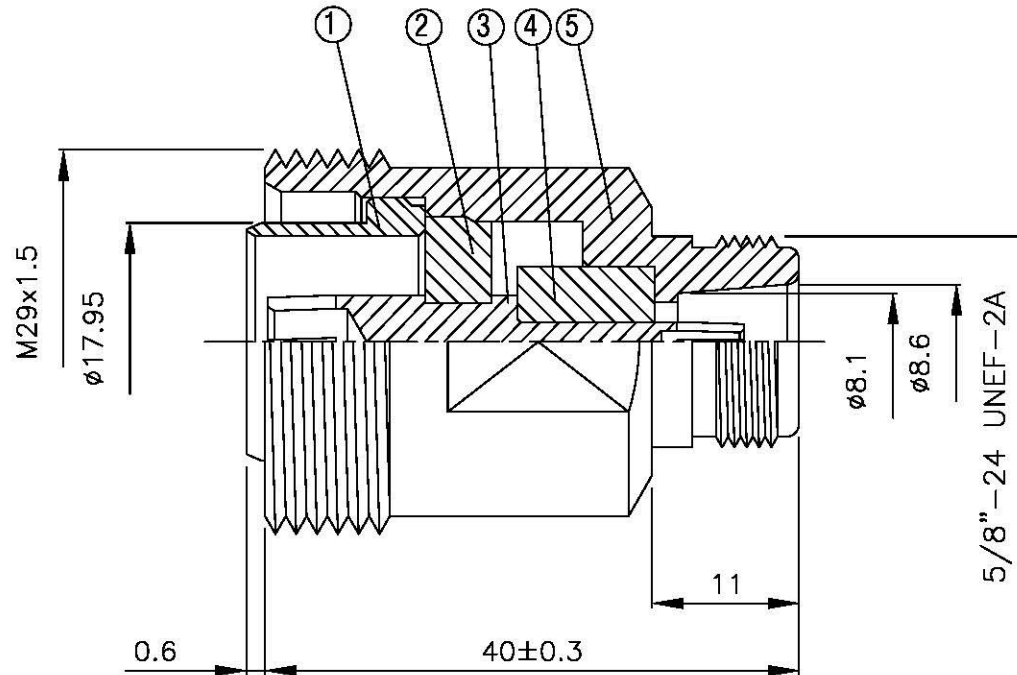
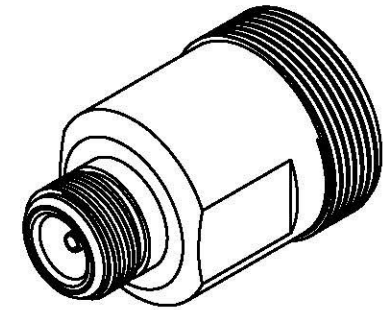


NO	DESCRIPTION	MATERIAL	Q'TY	FINISH	REMARK
1	BODY 1	BRASS	1	SILVER	B-7160343-S
2	INSULATION 1	TEFLON	1	TEFLON	I-0164T
3	PIN	BRASS	1	SILVER	P-7160215-S
4	INSULATION 2	TEFLON	1	TEFLON	I-0121T
5	BODY 2	BRASS	1	SILVER	B-7160342-S



All Connectors

www.allconnectors.de
Tel.: 0049 711 7009503
70294 Illersdorf - Germany

Info@allconnectors.de
Fax: 0049 711 7009504
Kettnerstr. 25

TITLE **7/16 FEMALE -N FEMALE**

PART NO. **716-12-TSS**

DRAWING NO. **716 12 TSS**

DRAWN **MARY** DATE **96.08.30**

CHECKED **蘇志欣** DATE

Q.A. **蘇姿潔** DATE

APPROVAL **徐燦霖** DATE

REVISION DATE

DIMENSIONS ARE IN MILLIMETERS

UNLESS OTHERWISE SPECIFIED TOLERANCE

0.5-5=±0.2	120-315=±1
5-30=±0.4	315-1000=±1.6
30-120±0.6	1000-2000=±2.4

SCALE **4:1** SIZE **A**

REVISION

DESCRIPTION	ENGINEER