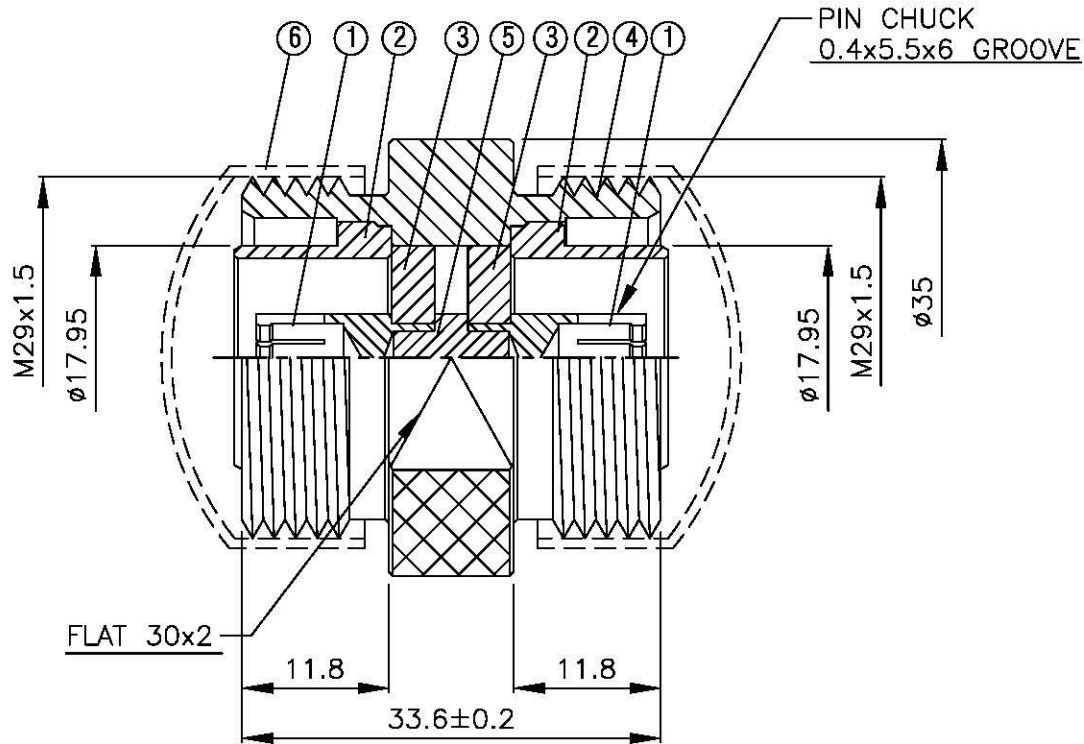
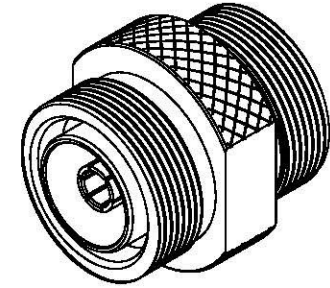
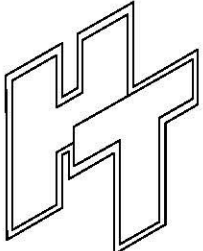



NO	DESCRIPTION	MATERIAL	Q'TY	FINISH	REMARK
1	PIN 1	BE CU	2	SILVER	P-7160421-S
2	BODY 1	BRASS	2	SILVER	B-7160343-S
3	INSULATION	TEFLON	2	TEFLON	I-0211T
4	BODY 2	BRASS	1	SILVER	B-7160389-S
5	PIN 2	BRASS	1	SILVER	P-7160250-S
6	GASKET	SI RUBBER	2	RUBBER	RU-0040



		DRAWN MARY DATE 91.12.02	DIMENSIONS ARE IN MILLIMETERS		REVISION	
	<small>www.allconnectors.de Tel.: 0049 733 709509 70754 Hilderstet - Germany Info@allconnectors.de Fax: 0049 733 709504 Kettnerstr. 25</small>	CHECKED 蘇姿潔 DATE	UNLESS OTHERWISE SPECIFIED TOLERANCE		DESCRIPTION	ENGINEER
	TITLE 7/16 FEMALE - FEMALE ADAPTOR	Q.A. 馮健華 DATE	0.5-5=±0.2 120-315=±1 5-30=±0.4 315-1000=±1.6 30-120±0.6 1000-2000=±2.4			
	PART NO. 716-09-TSS	APPROVAL 徐燦霖 DATE	SCALE 4:1 SIZE A			
	DRAWING NO. 716 09 TSS	REVISION DATE				