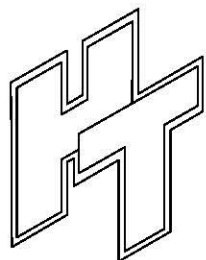
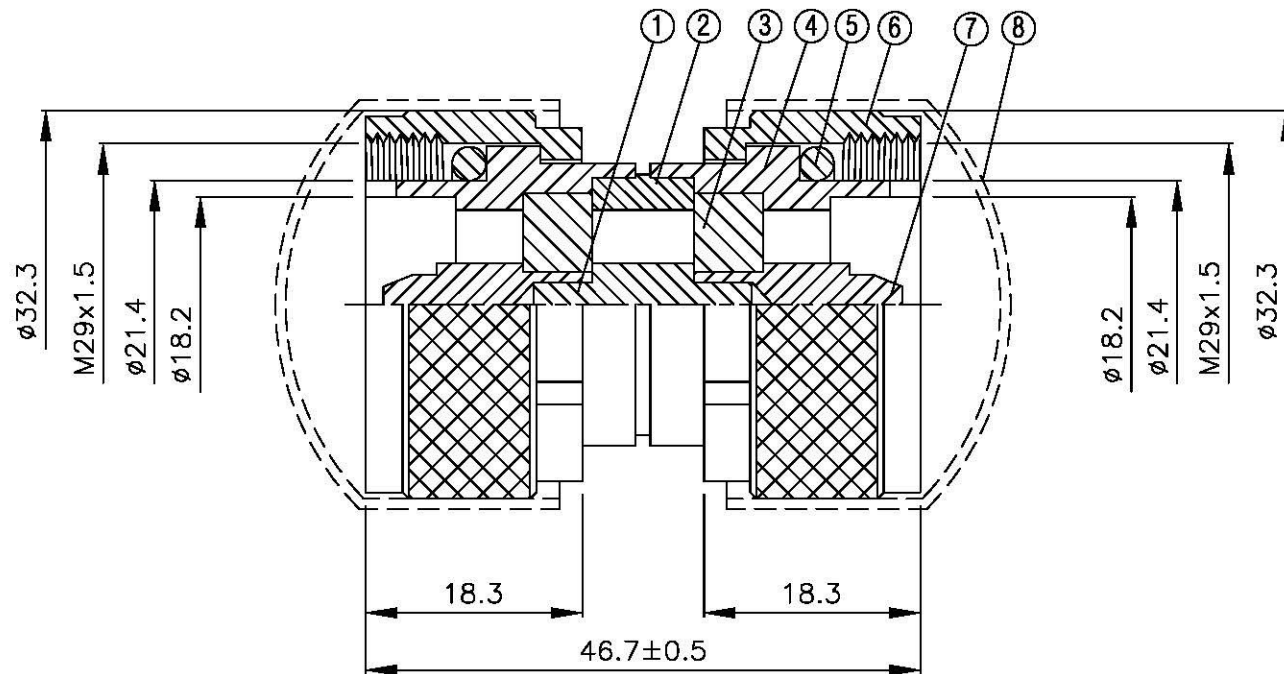
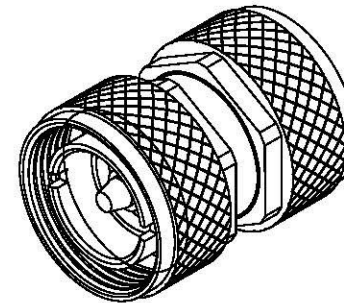


NO	DESCRIPTION	MATERIAL	Q'TY	FINISH	REMARK
1	PIN	BRASS	1	SILVER	P-7160241-S
2	BODY 1	BRASS	1	SILVER	B-7160378-S
3	INSULATION	TEFLON	2	TEFLON	I-0211T
4	BODY 2	BRASS	2	SILVER	B-7160339-S
5	GASKET	SI RUBBER	2	RUBBER	RU-0020
6	BODY 3	BRASS	2	SILVER	B-7160338-S
7	PIN	BRASS	2	SILVER	P-7160522-S
8	GASKET	SI RUBBER	2	RUBBER	RU-0039



Allconnectors

www.allconnectors.de
Tel.: 0049 711 7009503
Allconnectors GmbH

info@allconnectors.de
Fax: 0049 711 7009504
Königsplatz 27

TITLE **7/16 MALE - MALE ADAPTOR**

PART NO. **716-08-TSS**

DRAWING NO. **716-08-TSS**

DRAWN **MARY** DATE **90.01.22**

CHECKED **蘇姿潔** DATE

Q.A. **馮健華** DATE

APPROVAL **徐燦霖** DATE

REVISION DATE

DIMENSIONS ARE IN MILLIMETERS

UNLESS OTHERWISE SPECIFIED TOLERANCE

0.5-5=±0.2 120-315=±1

5-30=±0.4 315-1000=±1.6

30-120±0.6 1000-2000=±2.4

SCALE **4:1** SIZE **A**

REVISION

DESCRIPTION ENGINEER