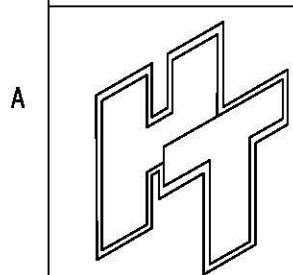
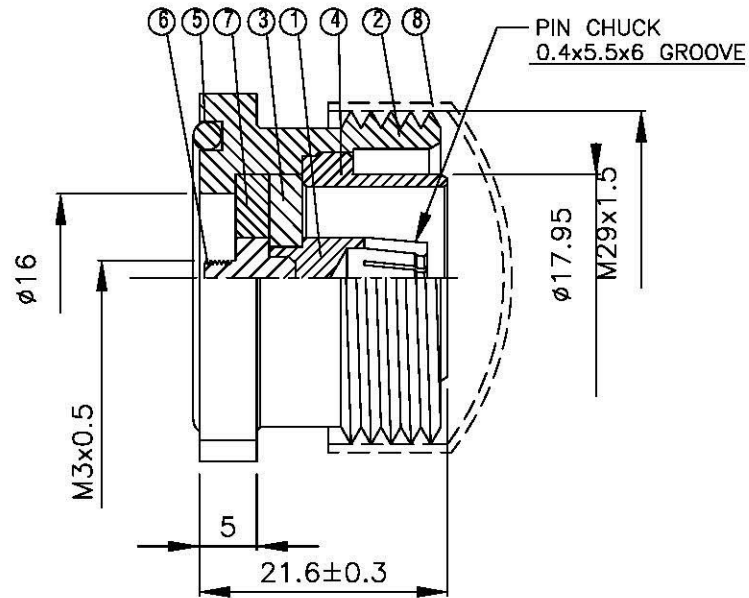
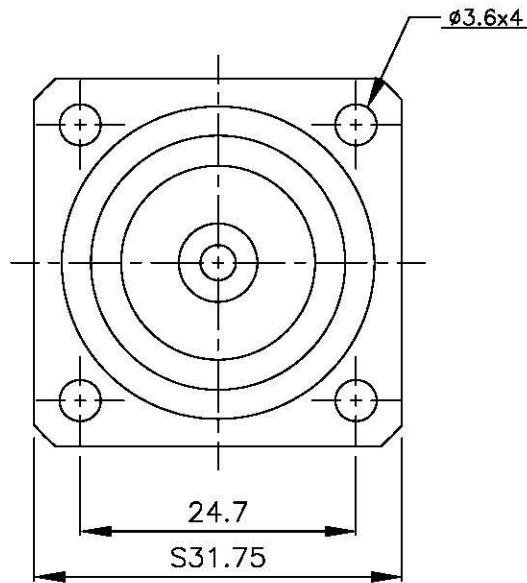
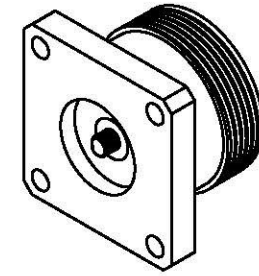


NO	DESCRIPTION	MATERIAL	Q'TY	FINISH	REMARK
1	PIN 1	BE CU	1	SILVER	P-7160421-S
2	BODY 1	BRASS	1	SILVER	B-7160448-S
3	INSULATION 1	TEFLON	1	TEFLON	I-0211T
4	BODY 2	BRASS	1	SILVER	B-7160343-S
5	GASKET	SI RUBBER	1	RUBBER	RU-0030
6	PIN 2	BE CU	1	SILVER	P-7160298-S
7	INSULATION 2	TEFLON	1	TEFLON	I-0214T
8	GASKET	SI RUBBER	1	RUBBER	RU-0040



All Connectors

www.allconnectors.com
 Tel.: 0049 711 7009503
 70794 Filderstadt Germany

info@allconnectors.com
 Fax: 0049 711 7009504
 Kettnerstr. 25

TITLE 7/16 PANEL JACK RECEPTACLE-
 THREADED CONTACT

PART NO. 716-07V6-TSS

DRAWING NO. 716 07V6 TSS

DRAWN	MARY	DATE	91.12.02
CHECKED	蘇姿潔	DATE	
Q.A.	馮健華	DATE	
APPROVA	徐燦霖	DATE	
REVISION		DATE	

DIMENSIONS ARE IN MILLIMETERS

UNLESS OTHERWISE SPECIFIED TOLERANCE			
0.5-5=±0.2	120-315=±1		
5-30=±0.4	315-1000=±1.6		
30-120±0.6	1000-2000=±2.4		

SCALE 4:1 SIZE A

REVISION

DESCRIPTION	ENGINEER