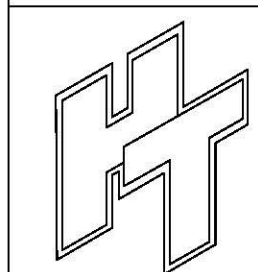
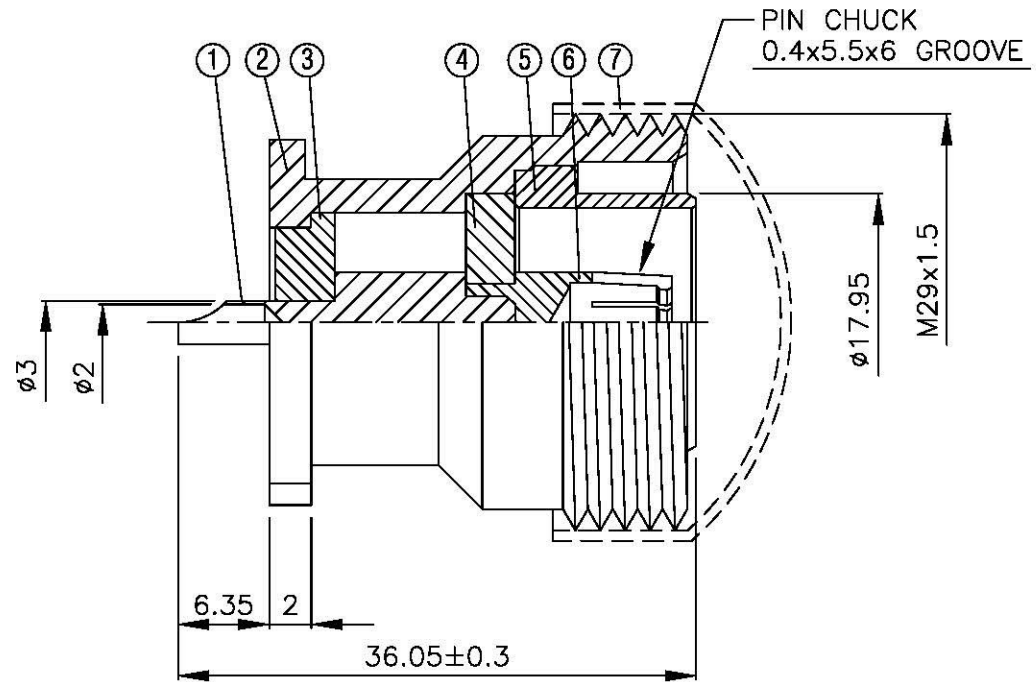
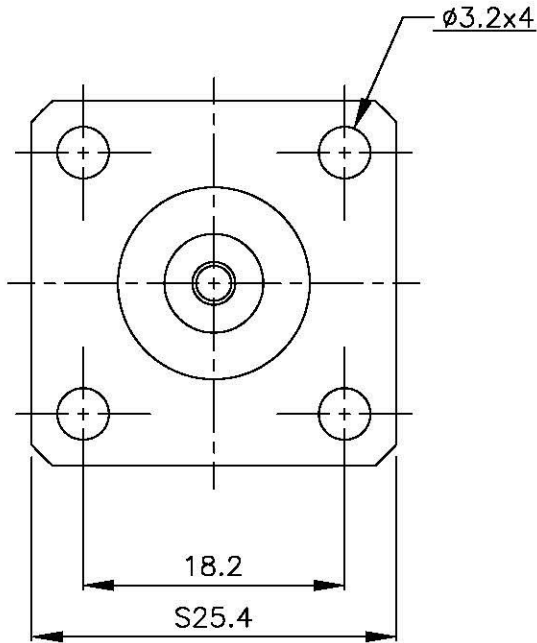
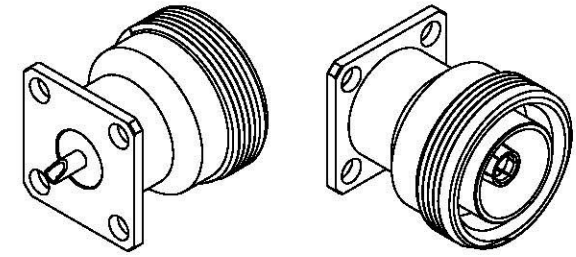


NO	DESCRIPTION	MATERIAL	Q'TY	FINISH	REMARK
1	PIN 1	BE CU	1	SILVER	P-7160297-S
2	BODY 1	BRASS	1	SILVER	B-7160447-S
3	INSULATION 1	TEFLON	1	TEFLON	I-0212T
4	INSULATION 2	TEFLON	1	TEFLON	I-0211T
5	BODY 2	BRASS	1	SILVER	B-7160343-S
6	PIN 2	BE CU	1	SILVER	P-7160421-S
7	GASKET	SI RUBBER	1	RUBBER	RU-0040



All Connectors
 www.allconnectors.de info@allconnectors.de
 Tel.: 0049 711 7009503 Fax: 0049 711 7009501
 70 694 Hilderstock Germany Ketteimarkt, 25

TITLE **7/16 JACK RECEPTACLES-SOLDER POT CONTACT**

PART NO. **716-07V5-TSS**

DRAWING NO. **716-07V5-TSS**

DRAWN **MARY**

CHECKED **蘇姿潔**

Q.A. **馮健華**

APPROVAL **徐燦霖**

REVISION

DATE **90.01.22**

DATE

DATE

DATE

DATE

DIMENSIONS ARE IN MILLIMETERS

UNLESS OTHERWISE SPECIFIED TOLERANCE

0.5-5 = ± 0.2 120-315 = ± 1

5-30 = ± 0.4 315-1000 = ± 1.6

30-120 = ± 0.6 1000-2000 = ± 2.4

SCALE **4:1** SIZE **A**

REVISION	
DESCRIPTION	ENGINEER