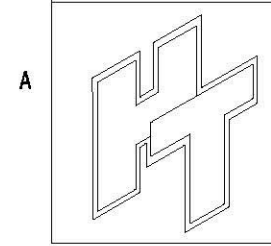
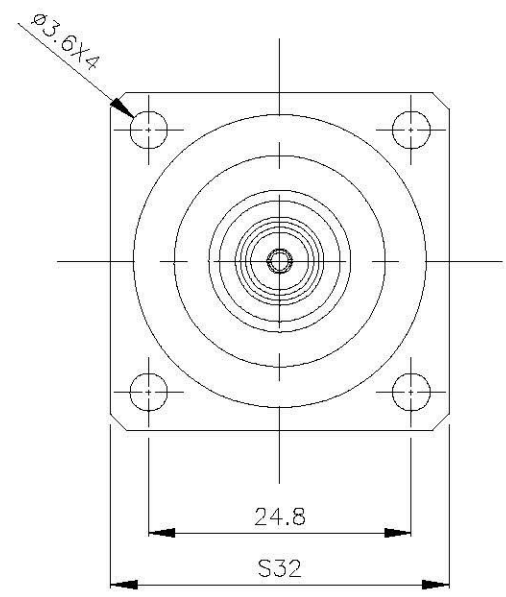
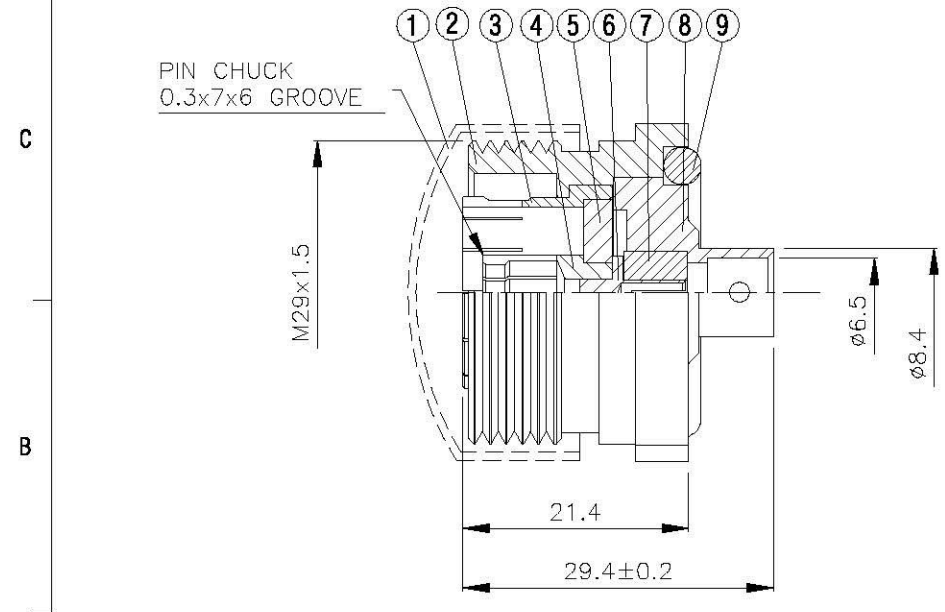
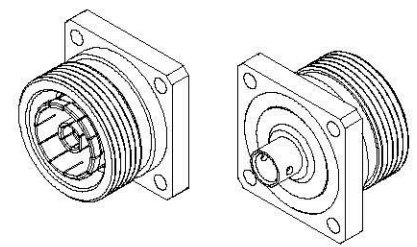


NO	DESCRIPTION	MATERIAL	Q'TY	FINISH	REMARK
1	GASKET	SI RUBBER	1	RUBBER	RU-0040
2	BODY 1	BRASS	1	NICKEL	B-7161540-N
3	BODY 2	BRASS	1	SILVER	B-7161538-S
4	PIN 1	BRASS	1	SILVER	P-7161036-S
5	INSULATION 1	TEFLON	1	TEFLON	I-0694T
6	PIN 2	BRASS	1	SILVER	P-7161037-S
7	INSULATION 2	TEFLON	1	TEFLON	I-0695T
8	BODY 3	BRASS	1	SILVER	B-7161541-S
9	GASKET	SI RUBBER	1	RUBBER	RU-0030



**All Connectors**  
 www.allconnectors.de  
 info@allconnectors.de  
 Tel: +49 89 711 700904  
 70724 Filderstadt - Germany  
 Fax: 089 711 700904  
 Kette Markt 25

**TITLE 7/16 JACK 4 HOLES  
 PANEL MOUNTED FOR RG-401(.025)**

**PART NO. 716-07V4-TSS-2**

**DRAWING NO. 716-07V4-TSS-2**

**DRAWN** 蘇志欣 **DATE** 98.12.25

**CHECKED** 蘇姿潔 **DATE**

**Q.A.** 莊千慧 **DATE**

**APPROVAL** 徐燦霖 **DATE**

**REVISION** **DATE**

**DIMENSIONS ARE IN MILLIMETERS**

**UNLESS OTHERWISE SPECIFIED TOLERANCE**

0.5-5=±0.2    120-315=±1  
 5-30=±0.4    315-1000=±1.6  
 30-120=±0.6    1000-2000=±2.4

**SCALE** 4:1    **SIZE** A

REVISION	
DESCRIPTION	ENGINEER