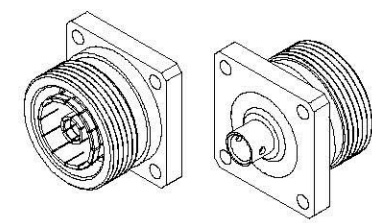
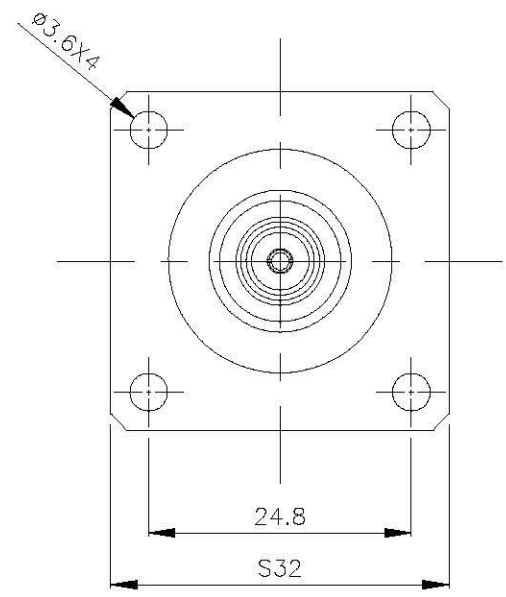
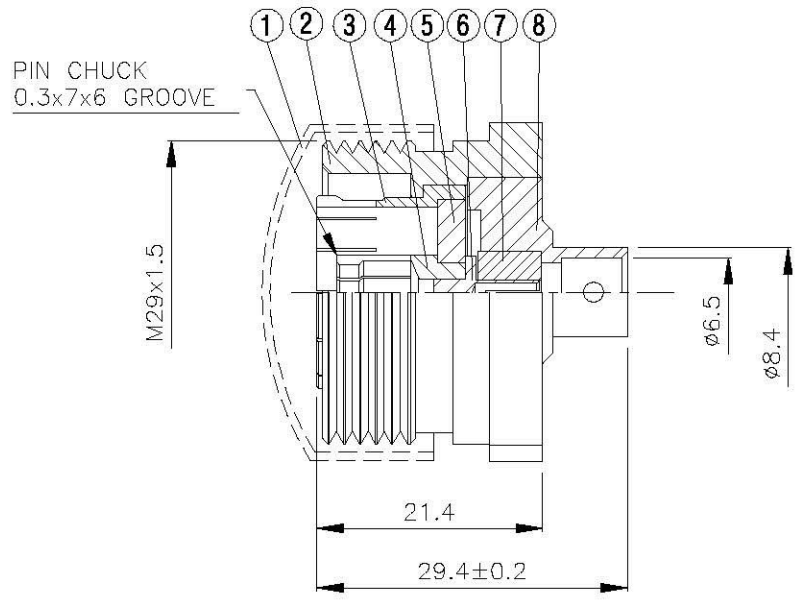


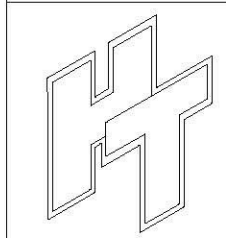
NO	DESCRIPTION	MATERIAL	Q'TY	FINISH	REMARK
1	GASKET	SI RUBBER	1	RUBBER	RU-0040
2	BODY 1	BRASS	1	NICKEL	B-7161537-N
3	BODY 2	BRASS	1	SILVER	B-7161538-S
4	PIN 1	BRASS	1	SILVER	P-7161036-S
5	INSULATION 1	TEFLON	1	TEFLON	I-0694T
6	PIN 2	BRASS	1	SILVER	P-7161037-S
7	INSULATION 2	TEFLON	1	TEFLON	I-0695T
8	BODY 3	BRASS	1	SILVER	B-7161539-S



D
C
B
A



D
C
B
A



Allconnectors
 www.allconnectors.de
 Tel.: 0640 711 7000/503
 0194 4418100/201 Germany

info@allconnectors.de
 Fax: 0640 711 7000/504
 allconnectors.de

**TITLE 7/16 JACK 4 HOLES
 PANEL MOUNTED FOR RG-401(.025)**

PART NO. 716-07V4-TSS-1

DRAWING NO. 716-07V4-TSS-1

DRAWN	蘇志欣	DATE	98.12.22
CHECKED	蘇姿潔	DATE	
Q.A.	莊千慧	DATE	
APPROVAL	徐燦霖	DATE	
REVISION		DATE	

DIMENSIONS ARE IN MILLIMETERS

UNLESS OTHERWISE SPECIFIED TOLERANCE

0.5-5=±0.2	120-315=±1
5-30=±0.4	315-1000=±1.6
30-120=±0.6	1000-2000=±2.4

SCALE 4:1 SIZE A

REVISION	
DESCRIPTION	ENGINEER

4 3 2 1