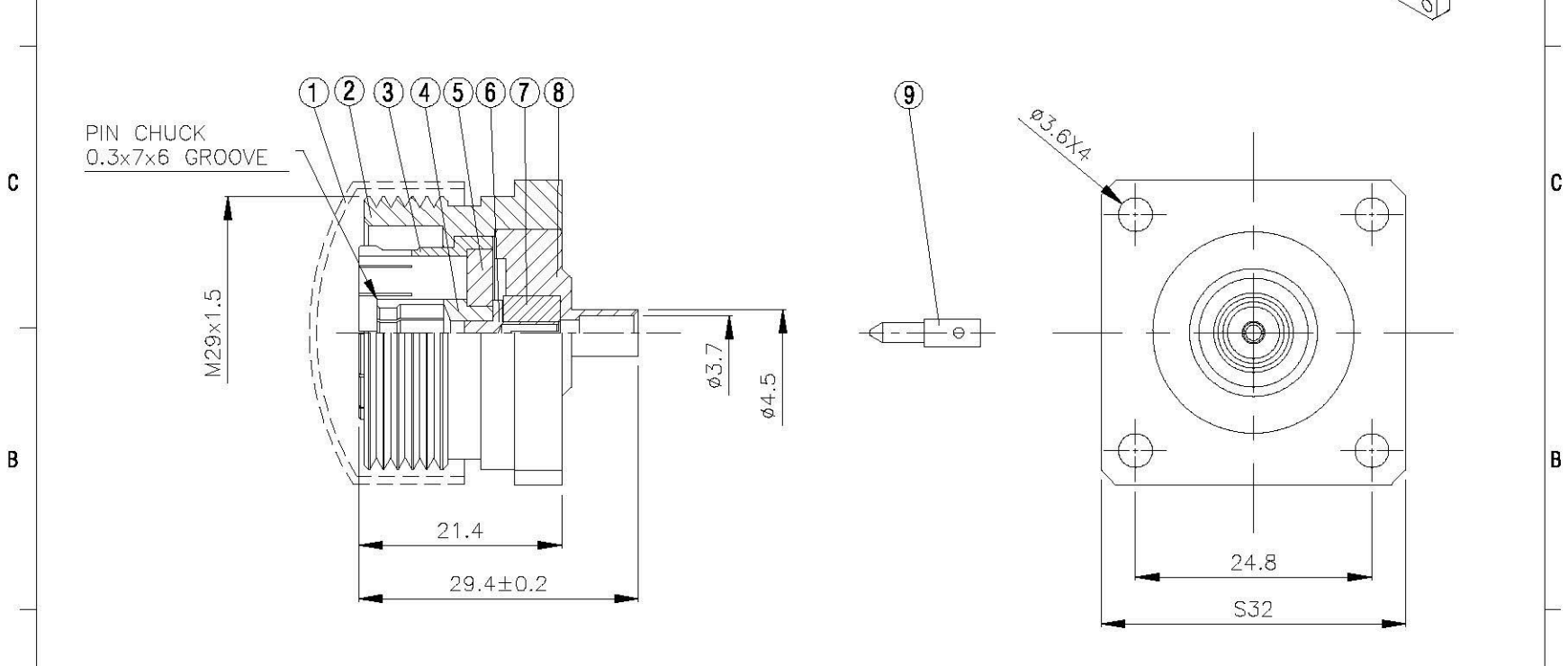
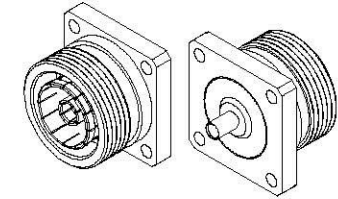
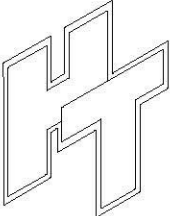


NO	DESCRIPTION	MATERIAL	Q'TY	FINISH	REMARK
1	GASKET	SI RUBBER	1	RUBBER	RU-0040
2	BODY 1	BRASS	1	NICKEL	B-7161537-N
3	BODY 2	BRASS	1	SILVER	B-7161538-S
4	PIN 1	BRASS	1	SILVER	P-7161036-S
5	INSULATION 1	TEFLON	1	TEFLON	I-0694T
6	PIN 2	BRASS	1	SILVER	P-7161038-S
7	INSULATION 2	TEFLON	1	TEFLON	I-0695T
8	BODY 3	BRASS	1	SILVER	B-7161544-S
9	PIN	BRASS	1	GOLD	P-BMA0690-G



	All Connectors <small>www.allconnectors.de info@allconnectors.de</small> <small>Tel: 0049 711 7009500 Fax: 0049 711 7007001</small> <small>J3724 Wildorfstr. Germany Kettelerstr. 2</small>		DRAWN	蘇志欣	DATE	98.12.28	DIMENSIONS ARE IN MILLIMETERS		REVISION	
	TITLE 7/16 JACK 4 HOLES PANEL MOUNTED FOR RG-402/U(.141) PART NO. 716-07V2-TSS-1 DRAWING NO. 716-07V2-TSS-1		CHECKED	蘇姿潔	DATE		UNLESS OTHERWISE SPECIFIED TOLERANCE		DESCRIPTION	ENGINEER
			Q.A.	莊千慧	DATE		0.5-5=±0.2	120-315=±1		
			APPROVAL	徐燦霖	DATE		5-30=±0.4	315-1000=±1.6		
			REVISION		DATE		30-120±0.6	1000-2000=±2.4		
		SCALE	4:1	SIZE	A					