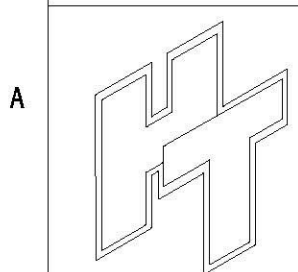
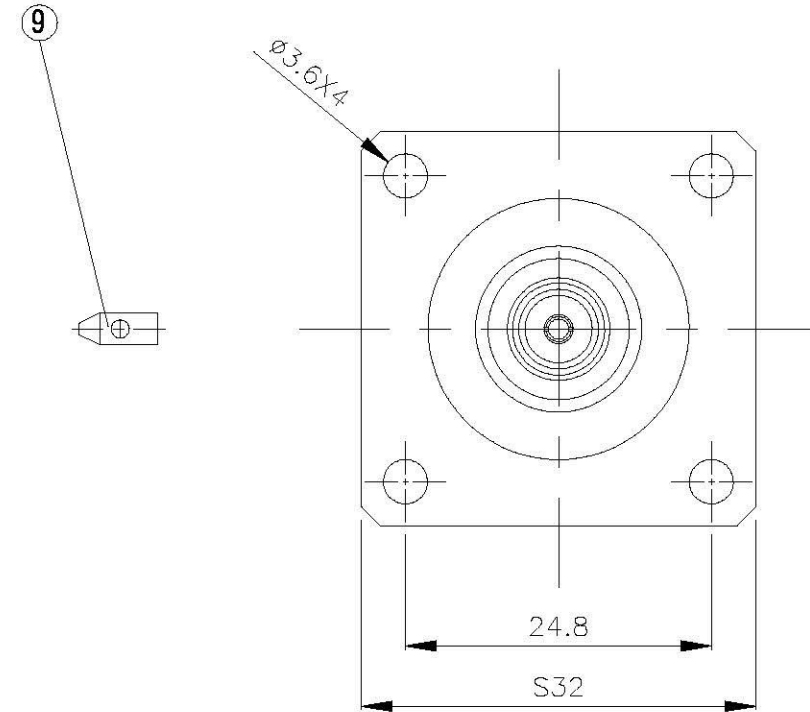
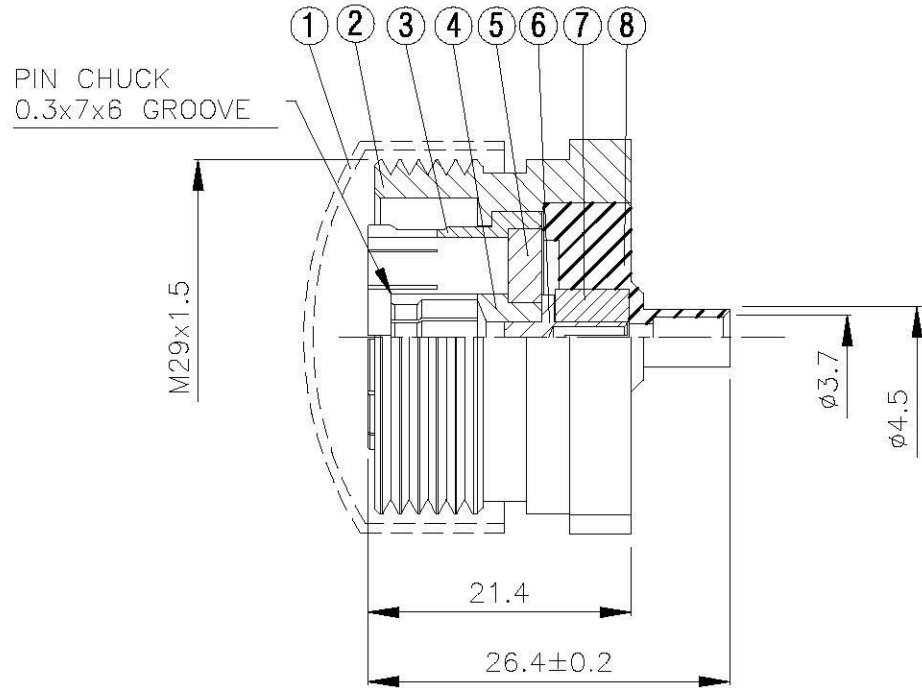
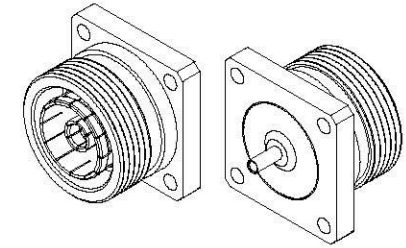


NO	DESCRIPTION	MATERIAL	Q'TY	FINISH	REMARK
1	GASKET	SI RUBBER	1	RUBBER	RU-0040
2	BODY 1	BRASS	1	NICKEL	B-7161537-N
3	BODY 2	BRASS	1	SILVER	B-7161538-S
4	PIN 1	BRASS	1	SILVER	P-7161036-S
5	INSULATION 1	TEFLON	1	TEFLON	I-0694T
6	PIN 2	BRASS	1	SILVER	P-7161038-S
7	INSULATION 2	TEFLON	1	TEFLON	I-0695T
8	BODY 3	BRASS	1	SILVER	B-7161546-S
9	PIN	BRASS	1	GOLD	P-BMA0588-G



All Connectors
 www.allconnectors.de info@allconnectors.de
 Tel.: 0049 711 7009100 Fax: 0049 711 7009104
 20094 Hildesheim, Germany Kollmannstr. 25

**TITLE 7/16 JACK 4 HOLES
 PANEL MOUNTED FOR RG-405/U(.085)**

PART NO. 716-07V1-TSS

DRAWING NO. 716-07V1-TSS

DRAWN 蘇志欣 **DATE** 98.12.29

CHECKED 蘇姿潔 **DATE**

Q.A. 莊千慧 **DATE**

APPROVAL 徐燦霖 **DATE**

REVISION **DATE**

DIMENSIONS ARE IN MILLIMETERS

UNLESS OTHERWISE SPECIFIED TOLERANCE

0.5-5=±0.2 120-315=±1
 5-30=±0.4 315-1000=±1.6
 30-120±0.6 1000-2000=±2.4

SCALE 4:1 **SIZE** A

REVISION

DESCRIPTION	ENGINEER