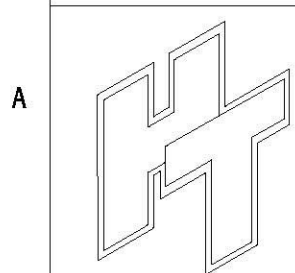
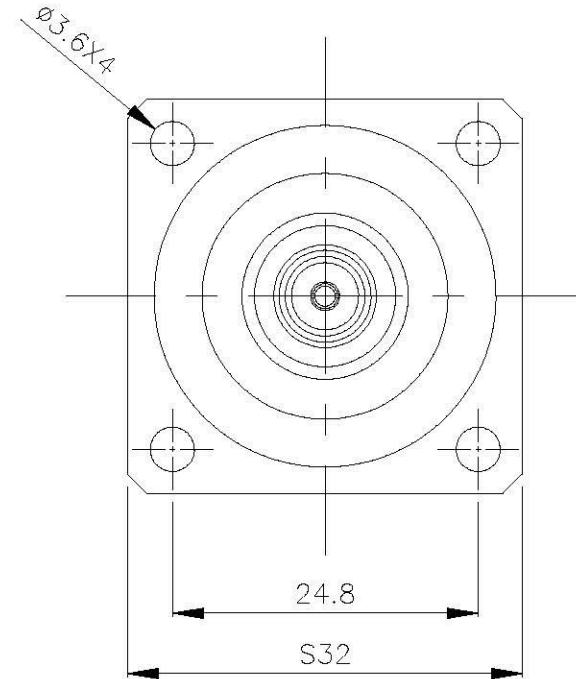
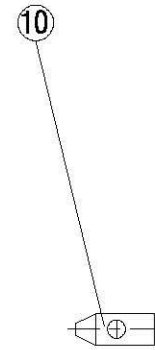
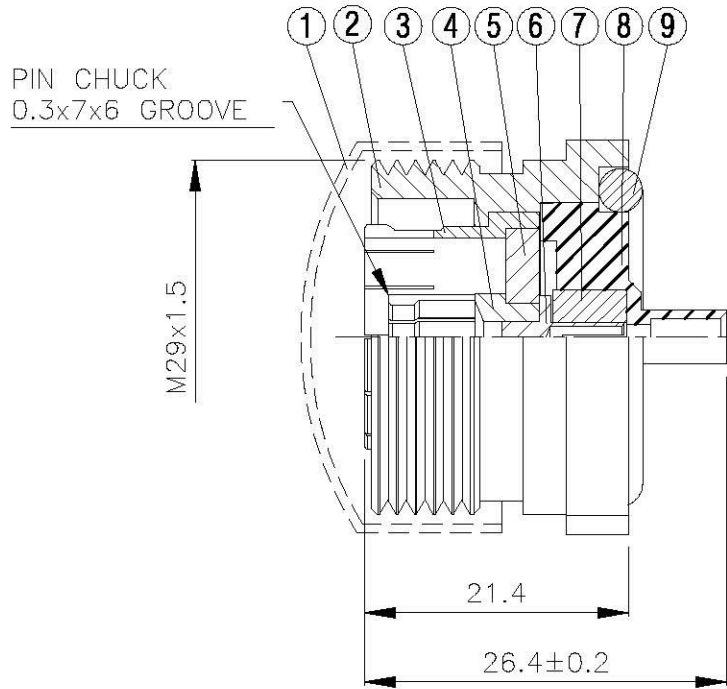
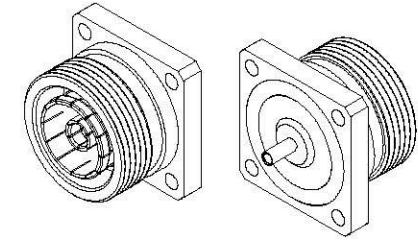


NO	DESCRIPTION	MATERIAL	Q'TY	FINISH	REMARK
1	GASKET	SI RUBBER	1	RUBBER	RU-0040
2	BODY 1	BRASS	1	NICKEL	B-7161540-N
3	BODY 2	BRASS	1	SILVER	B-7161538-S
4	PIN 1	BRASS	1	SILVER	P-7161036-S
5	INSULATION 1	TEFLON	1	TEFLON	I-0694T
6	PIN 2	BRASS	1	SILVER	P-7161038-S
7	INSULATION 2	TEFLON	1	TEFLON	I-0695T
8	BODY 3	BRASS	1	SILVER	B-7161547-S
9	GASKET	SI RUBBER	1	RUBBER	RU-0030
10	PIN	BRASS	1	GOLD	P-BMA0588-G



All Connectors

www.allconnectors.de info@allconnectors.de
Tel: 0049 711 7009503 Fax: 0910 711 7009501
A9/94 Hilderstadt Germany Kettenschtr. 21

TITLE 7/16 JACK 4 HOLES
PANEL MOUNTED FOR RG-405/U(.085)

PART NO. 716-07V1-TSS-1

DRAWING NO. 716-07V1-TSS-1

DRAWN 蘇志欣 DATE 98.12.25

CHECKED 蘇姿潔 DATE

Q.A. 莊千慧 DATE

APPROVAL 徐燦霖 DATE

REVISION DATE

DIMENSIONS ARE IN MILLIMETERS

UNLESS OTHERWISE SPECIFIED
TOLERANCE

0.5-5=±0.2 120-315=±1

5-30=±0.4 315-1000=±1.6

30-120±0.6 1000-2000=±2.4

SCALE 4:1 SIZE A

REVISION

DESCRIPTION ENGINEER