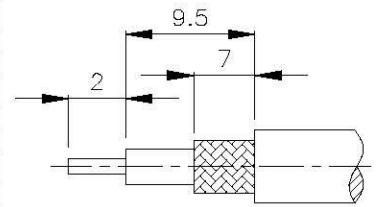
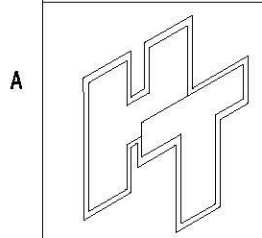
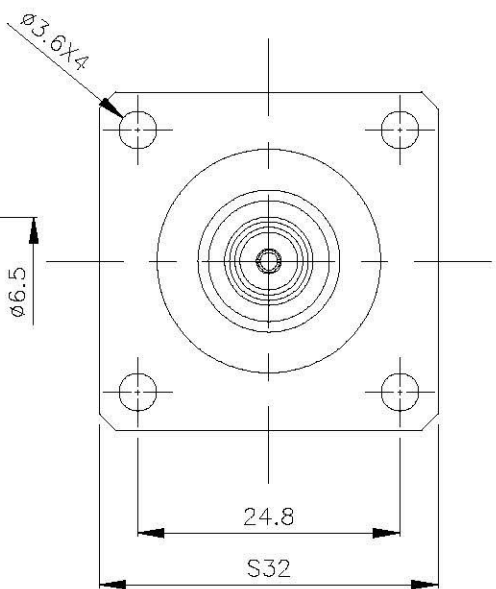
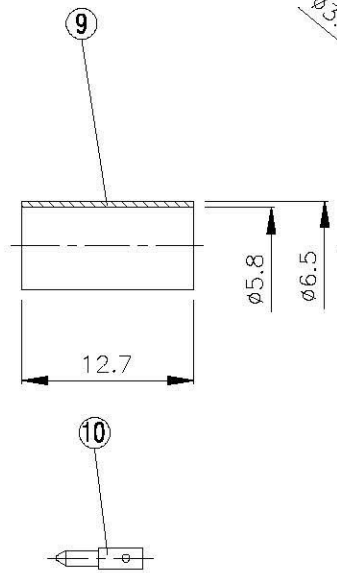
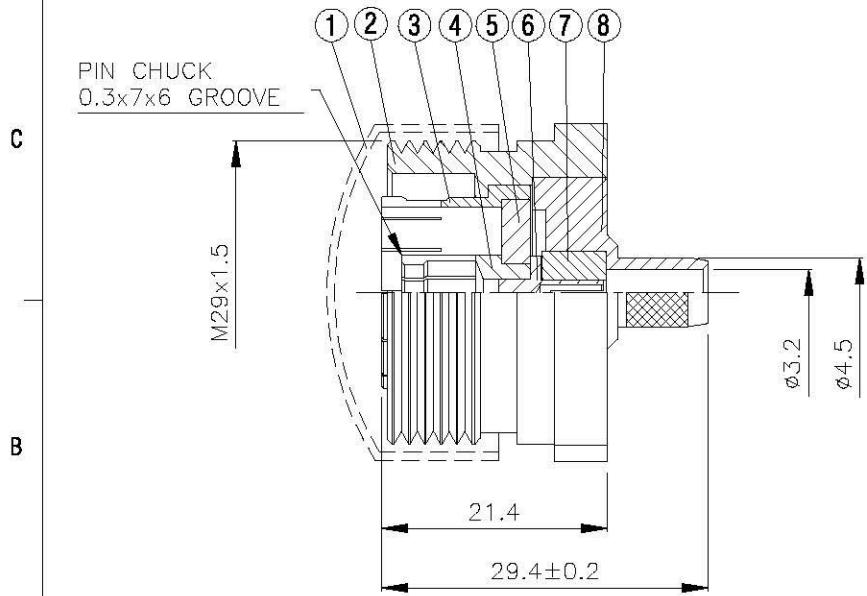
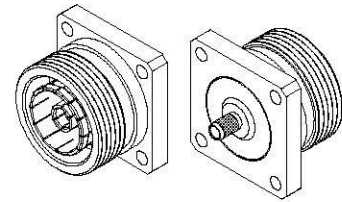


NO	DESCRIPTION	MATERIAL	Q'TY	FINISH	REMARK
1	GASKET	SI RUBBER	1	RUBBER	RU-0040
2	BODY 1	BRASS	1	NICKEL	B-7161537-N
3	BODY 2	BRASS	1	SILVER	B-7161538-S
4	PIN 1	BRASS	1	SILVER	P-7161036-S
5	INSULATION 1	TEFLON	1	TEFLON	I-0694T
6	PIN 2	BRASS	1	SILVER	P-7161038-S
7	INSULATION 2	TEFLON	1	TEFLON	I-0695T
8	BODY 3	BRASS	1	SILVER	B-7161542-S
9	RING	BRASS	1	NICKEL	R-0047-N
10	PIN	BRASS	1	GOLD	P-BMA0690-G



(Recommended Stripping Dimension)



Allconnectors
www.allconnectors.de
 Tel: +49 949 718 9070/91
 AUSAH | Hildersdorf - Germany
info@allconnectors.de
 Fax: +49 949 718 9070/92
 Kettensmiede, 23

TITLE **7/16 JACK 4 HOLES
 PANEL MOUNTED FOR RG-400/U**

PART NO. **716-07FA-TSS**

DRAWING NO. **716-07FA-TSS**

DRAWN	蘇志欣	DATE	98.12.25
CHECKED	蘇姿潔	DATE	
Q.A.	莊千慧	DATE	
APPROVAL	徐燦霖	DATE	
REVISION		DATE	

DIMENSIONS ARE IN MILLIMETERS			
UNLESS OTHERWISE SPECIFIED TOLERANCE			
0.5-5=±0.2	120-315=±1		
5-30=±0.4	315-1000=±1.6		
30-120±0.6	1000-2000=±2.4		
SCALE	4:1	SIZE	A

REVISION	
DESCRIPTION	ENGINEER