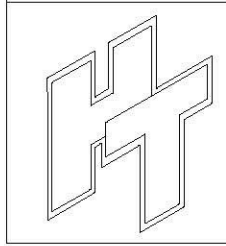
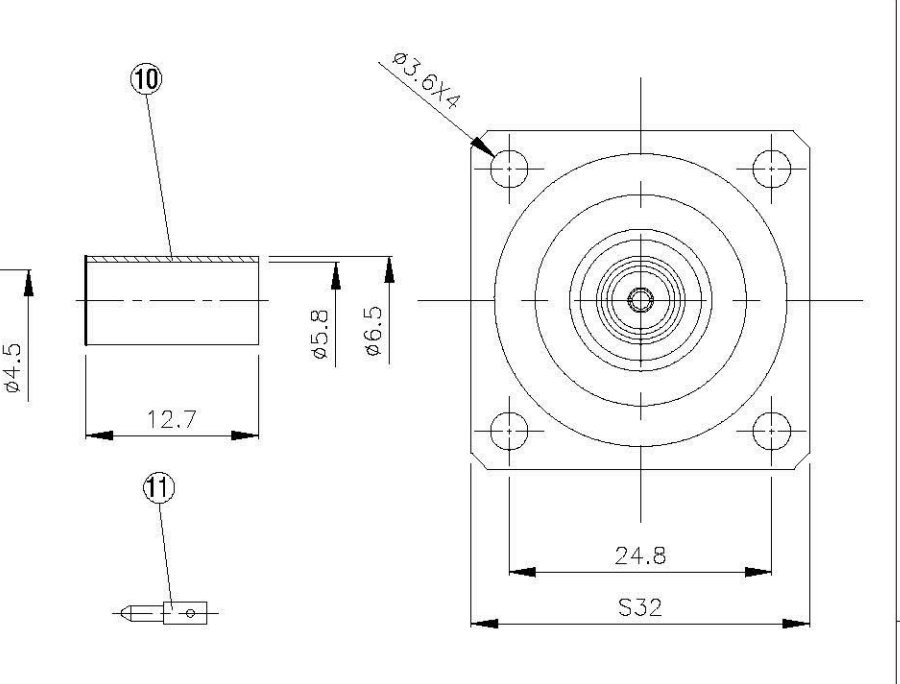
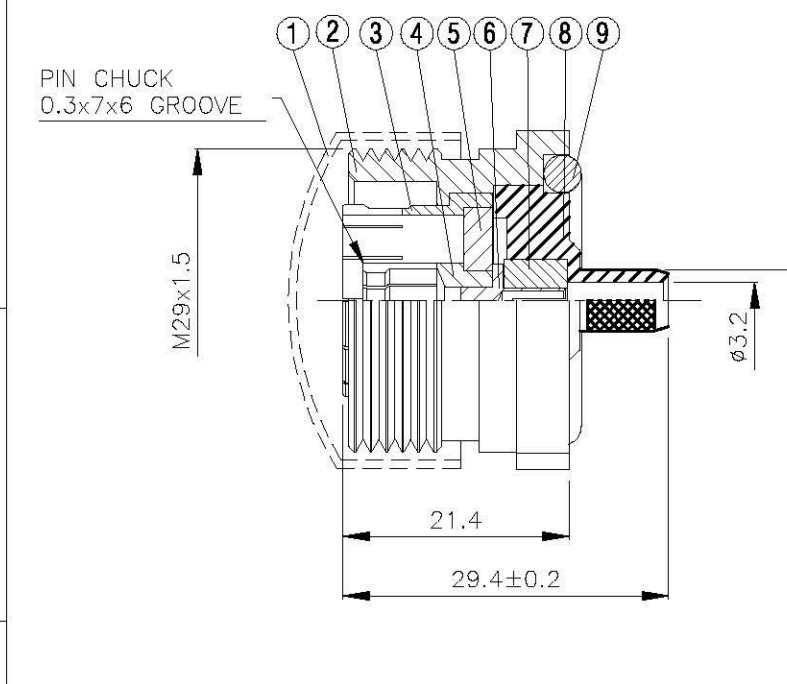
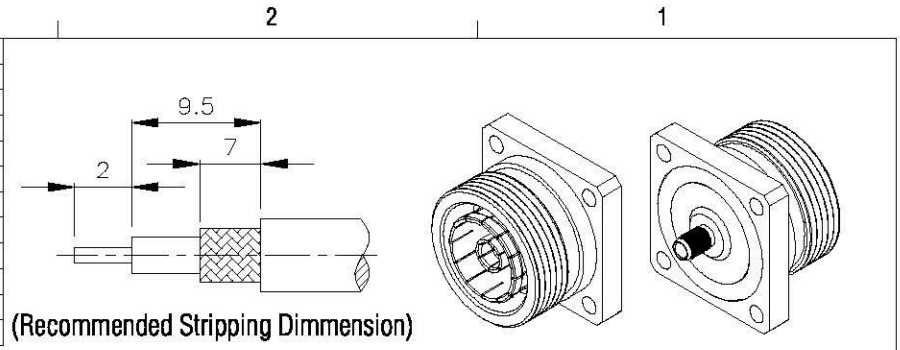


NO	DESCRIPTION	MATERIAL	Q'TY	FINISH	REMARK
1	GASKET	SI RUBBER	1	RUBBER	RU-0040
2	BODY 1	BRASS	1	NICKEL	B-7161540-N
3	BODY 2	BRASS	1	SILVER	B-7161538-S
4	PIN 1	BRASS	1	SILVER	P-7161036-S
5	INSULATION 1	TEFLON	1	TEFLON	I-0694T
6	PIN 2	BRASS	1	SILVER	P-7161038-S
7	INSULATION 2	TEFLON	1	TEFLON	I-0695T
8	BODY 3	BRASS	1	SILVER	B-7161543-S
9	GASKET	SI RUBBER	1	RUBBER	RU-0030
10	RING	BRASS	1	NICKEL	R-0047-N
11	PIN	BRASS	1	GOLD	P-BMA0690-G



All Connectors
 www.allconnectors.com
 Tel: 0049 711 7909503
 70751 Filbertal - Germany

info@allconnectors.com
 Fax: 0049 711 7909504
 Kollmannstr. 25

**TITLE 7/16 JACK 4 HOLES
 PANEL MOUNTED FOR RG-400/U**

PART NO. 716-07FA-TSS-1

DRAWING NO. 716-07FA-TSS-1

DRAWN	蘇志欣	DATE	98.12.25
CHECKED	蘇姿潔	DATE	
Q.A.	莊千慧	DATE	
APPROVAL	徐燦霖	DATE	
REVISION		DATE	

DIMENSIONS ARE IN MILLIMETERS			
UNLESS OTHERWISE SPECIFIED TOLERANCE			
0.5-5=±0.2	120-315=±1		
5-30=±0.4	315-1000=±1.6		
30-120±0.6	1000-2000=±2.4		
SCALE	4:1	SIZE	A

REVISION	
DESCRIPTION	ENGINEER