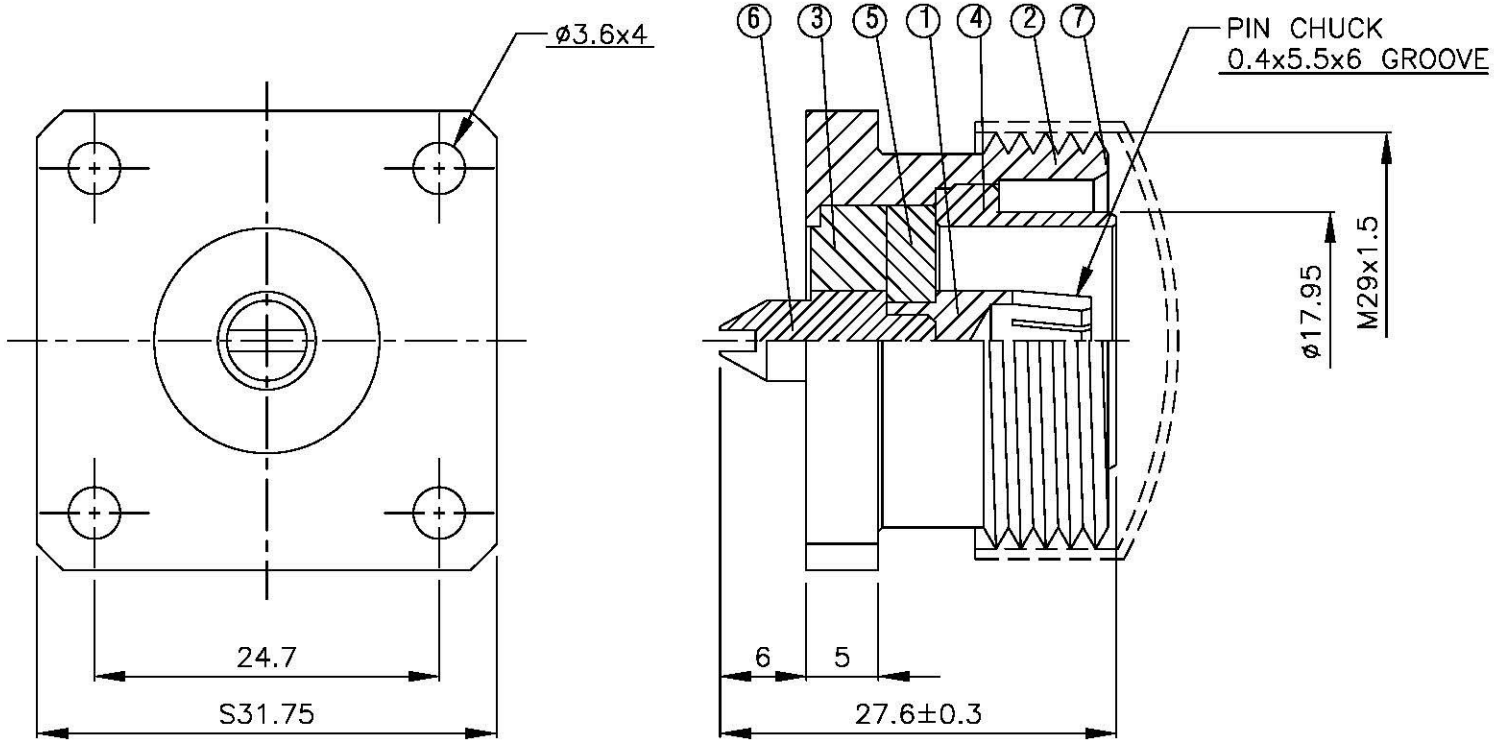
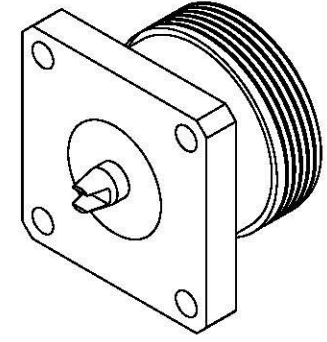


NO	DESCRIPTION	MATERIAL	Q'TY	FINISH	REMARK
1	PIN 1	BE CU	1	SILVER	P-7160421-S
2	BODY 1	BRASS	1	SILVER	B-7160445-S
3	INSULATION 1	TEFLON	1	TEFLON	I-0210T
4	BODY 2	BRASS	1	SILVER	B-7160343-S
5	INSULATION 2	TEFLON	1	TEFLON	I-0211T
6	PIN 2	BE CU	1	SILVER	P-7160295-S
7	GASKET	SI RUBBER	1	RUBBER	RU-0040



		DRAWN MARY DATE 91.12.02	DIMENSIONS ARE IN MILLIMETERS		REVISION		
	<small>www.allconnectors.de Tel.: 0049 / 711 / 7005303 76744 Filzbrunn, Germany</small>	<small>Info@allconnectors.de Fax: 0049 / 711 / 7005304 Kontakt@mc.25</small>	CHECKED 蘇姿潔 DATE	UNLESS OTHERWISE SPECIFIED TOLERANCE		DESCRIPTION	ENGINEER
	TITLE 7/16 STRAIGHT JACK 4 HOLES FLANGE MOUNT FOR RECEPTACLE		Q.A. 馮健華 DATE	0.5-5=±0.2	120-315=±1		
			APPROVAL 徐燦霖 DATE	5-30=±0.4	315-1000=±1.6		
	PART NO. 716-07-TSS		REVISION	DATE	30-120±0.6	1000-2000=±2.4	
DRAWING NO. 716 07 TSS				SCALE 4:1	SIZE A		