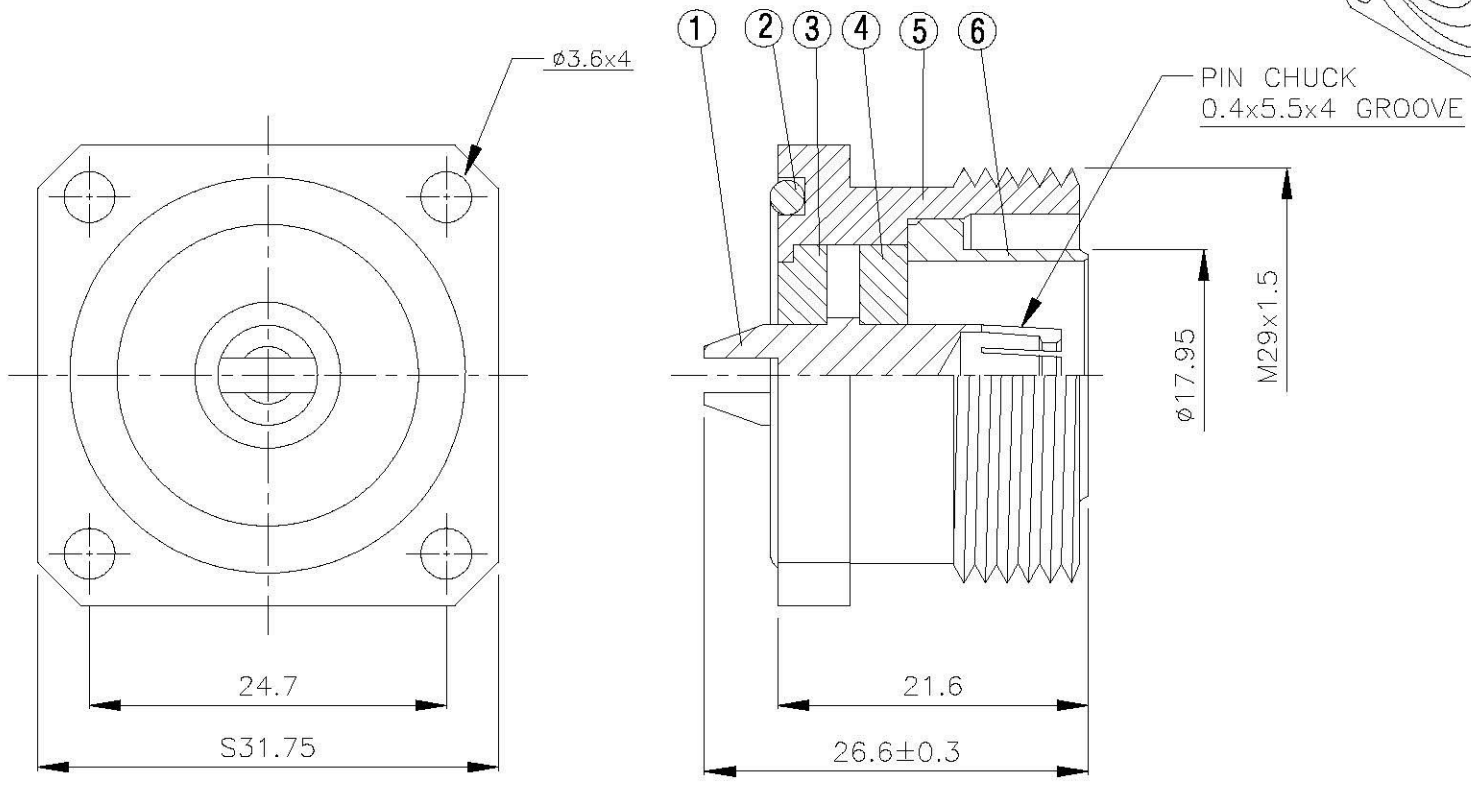
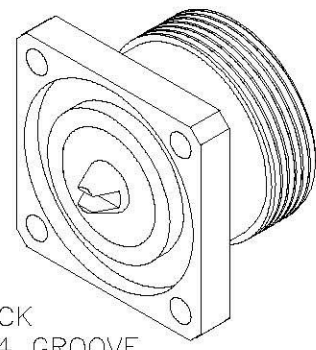


NO	DESCRIPTION	MATERIAL	Q'TY	FINISH	REMARK
1	PIN	BE CU	1	SILVER	P-7160296-S
2	GASKET	SI RUBBER	1	RUBBER	RU-0020
3	INSULATION 1	TEFLON	1	TEFLON	I-0210T
4	INSULATION 2	TEFLON	1	TEFLON	I-0211T
5	BODY 1	BRASS	1	SILVER	B-7160446-S
6	BODY 2	BRASS	1	SILVER	B-7160343-S



	<b>Allconnectors</b> <small>www.allconnectors.de  Tel.: 0049 431 400504  70754 Filderstadt - Germany</small>	<b>DRAWN</b> 蘇姿深	<b>DATE</b> 98.01.11	<b>DIMENSIONS ARE IN MILLIMETERS</b>				<b>REVISION</b>	
		<b>CHECKED</b> 蘇志欣	<b>DATE</b>	<b>UNLESS OTHERWISE SPECIFIED TOLERANCE</b>				<b>DESCRIPTION</b>	<b>ENGINEER</b>
		<b>Q.A.</b> 莊千鵬	<b>DATE</b>	0.5-5=±0.2	120-315=±1				
		<b>APPROVAL</b> 徐煥霖	<b>DATE</b>	5-30=±0.4	315-1000=±1.6				
		<b>REVISION</b>	<b>DATE</b>	30-120±0.6	1000-2000=±2.4				
<b>TITLE</b> 7/16 STRAIGHT JACK 4 HOLES FLANGE MOUNT FOR RECEPTACLE	<b>PART NO.</b> 716-07-TSS-1	<b>DRAWING NO.</b> 716-07-TSS-1	<b>SCALE</b> 4:1	<b>SIZE</b> A					