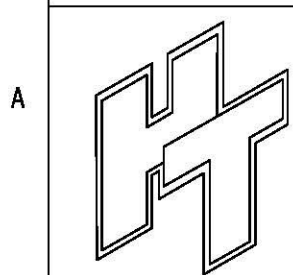
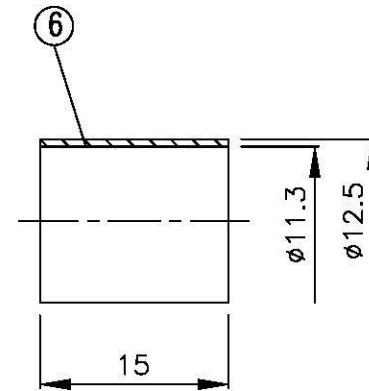
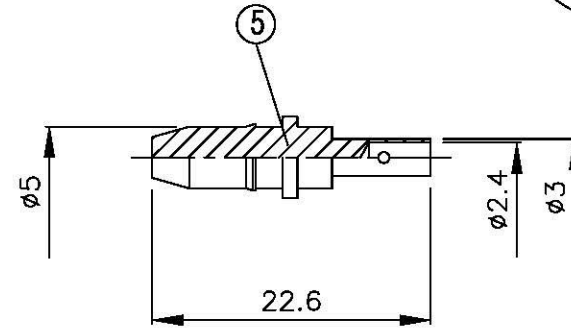
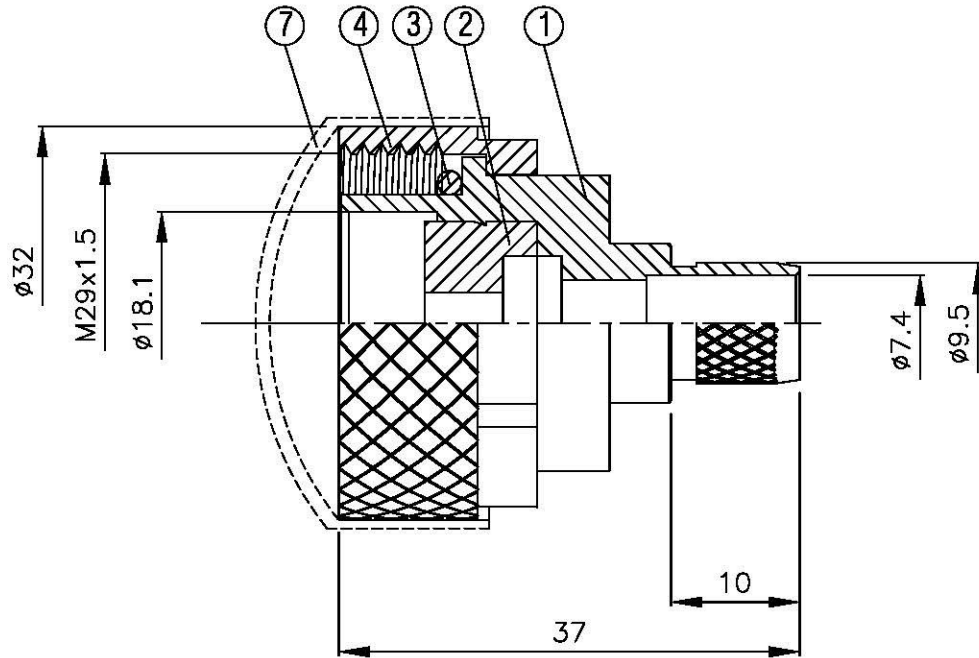
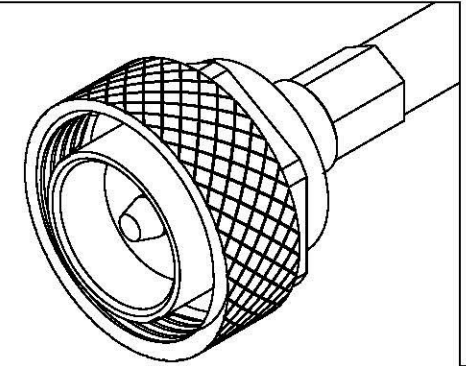


NO	DESCRIPTION	MATERIAL	Q'TY	FINISH	REMARK
1	BODY 1	BRASS	1	SILVER	B-7160814-S
2	INSULATION 1	TEFLON	1	TEFLON	I-0392T
3	GASKET	SI RUBBER	1	RUBBER	RU-0020
4	BODY 2	BRASS	1	SILVER	B-7160815-S
5	PIN	BRASS	1	SILVER	P-7160577-S
6	RING	BRASS	NICKEL	R-0010-N	
3	GASKET	SI RUBBER	1	RUBBER	RU-0040



All Connectors

www.allconnectors.de
 Tel.: 0049 711 7009005
 70794 Filderstadt Germany

info@allconnectors.de
 Fax: 0049 711 7009001
 R+H micro, 25

TITLE 7/16 MALE CRIMP FOR
 RG-213/U

PART NO. 716-04B-TSS

DRAWING NO. 716 04B TSS

DRAWN	MARY	DATE	93.11.01
CHECKED	蘇姿潔	DATE	
Q.A.	馮健華	DATE	
APPROVAL	徐燦霖	DATE	
REVISION		DATE	

DIMENSIONS ARE IN MILLIMETERS

UNLESS OTHERWISE SPECIFIED TOLERANCE			
0.5-5=±0.2	120-315=±1		
5-30=±0.4	315-1000=±1.6		
30-120±0.6	1000-2000=±2.4		

SCALE 4:1 SIZE A

REVISION

DESCRIPTION	ENGINEER