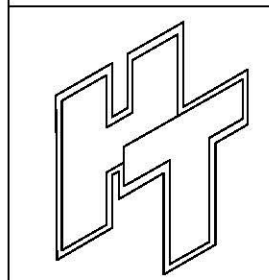
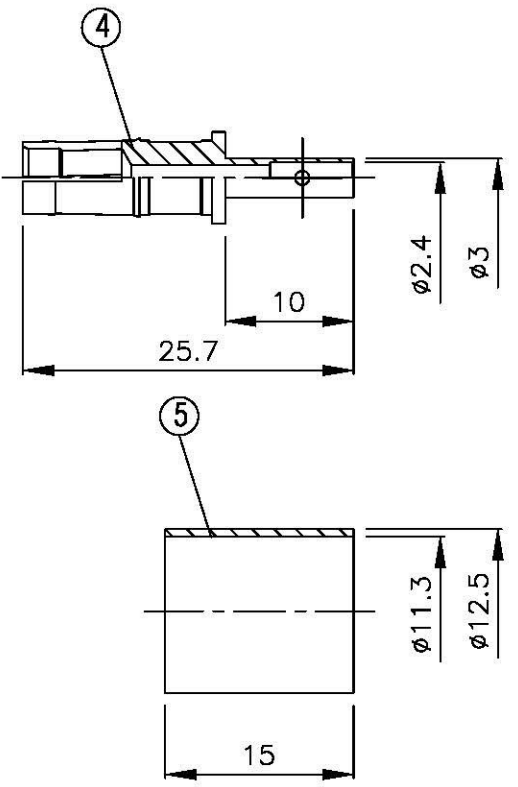
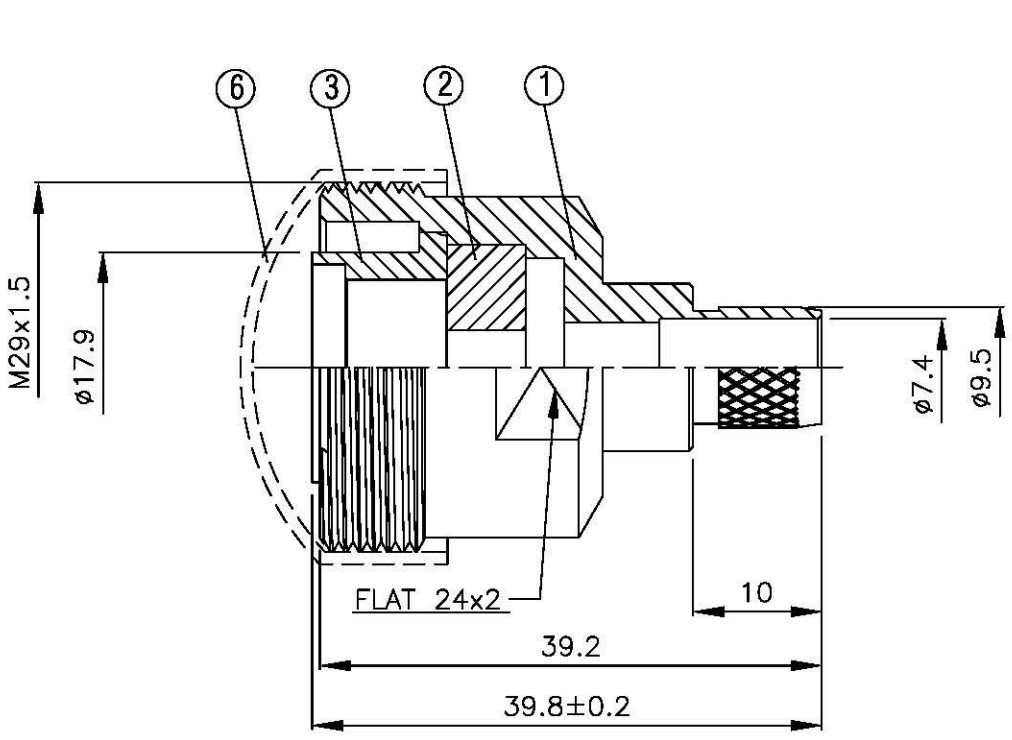
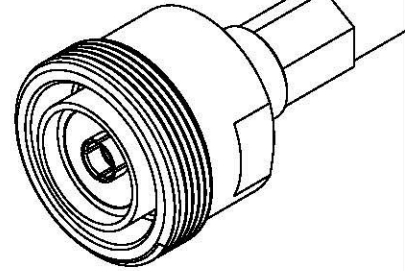
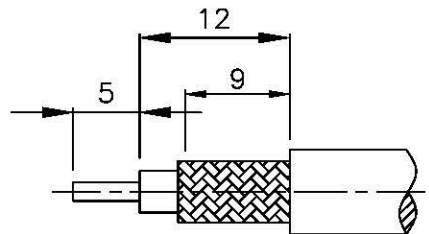


NO	DESCRIPTION	MATERIAL	Q'TY	FINISH	REMARK
1	BODY 1	BRASS	1	SILVER	B-7160816-S
2	INSULATION 1	TEFLON	1	TEFLON	I-0391T
3	BODY 2	BRASS	1	SILVER	B-7160813-S
4	PIN	BE CU	1	SILVER	P-7160576-S
5	RING	BRASS	1	NICKEL	R-0010-N
6	GASKET	SI RUBBER	1	RUBBER	RU-0040



All Connectors
 www.allconnectors.de
 info@allconnectors.de
 Tel: 0049 733 7002503
 70794 Ellersdorf, Germany

TITLE 7/16 FEMALE CRIMP FOR RG-213/U
PART NO. 716-03B-TSS
DRAWING NO. 716 03B TSS

DRAWN MARY
CHECKED 蘇姿潔
Q.A. 馮健華
APPROVAL 徐燦霖
REVISION

DATE 96.08.30

DIMENSIONS ARE IN MILLIMETERS

UNLESS OTHERWISE SPECIFIED TOLERANCE

0.5-5=±0.2	120-315=±1
5-30=±0.4	315-1000=±1.6
30-120±0.6	1000-2000=±2.4

SCALE 4:1 **SIZE** A

REVISION	
DESCRIPTION	ENGINEER