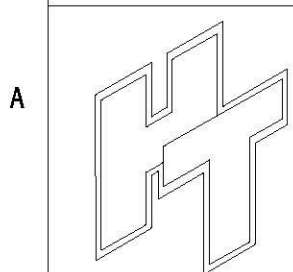
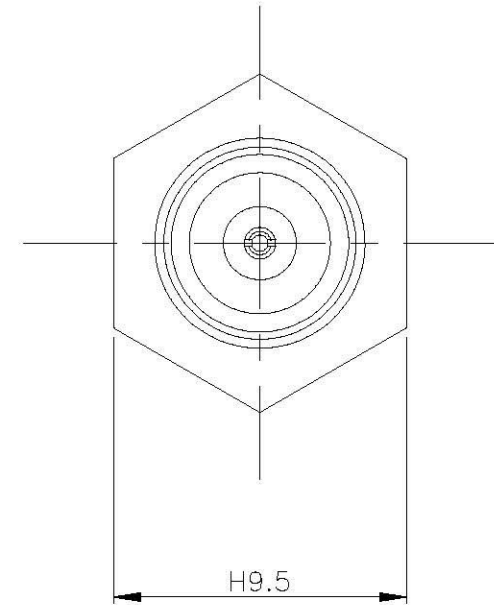
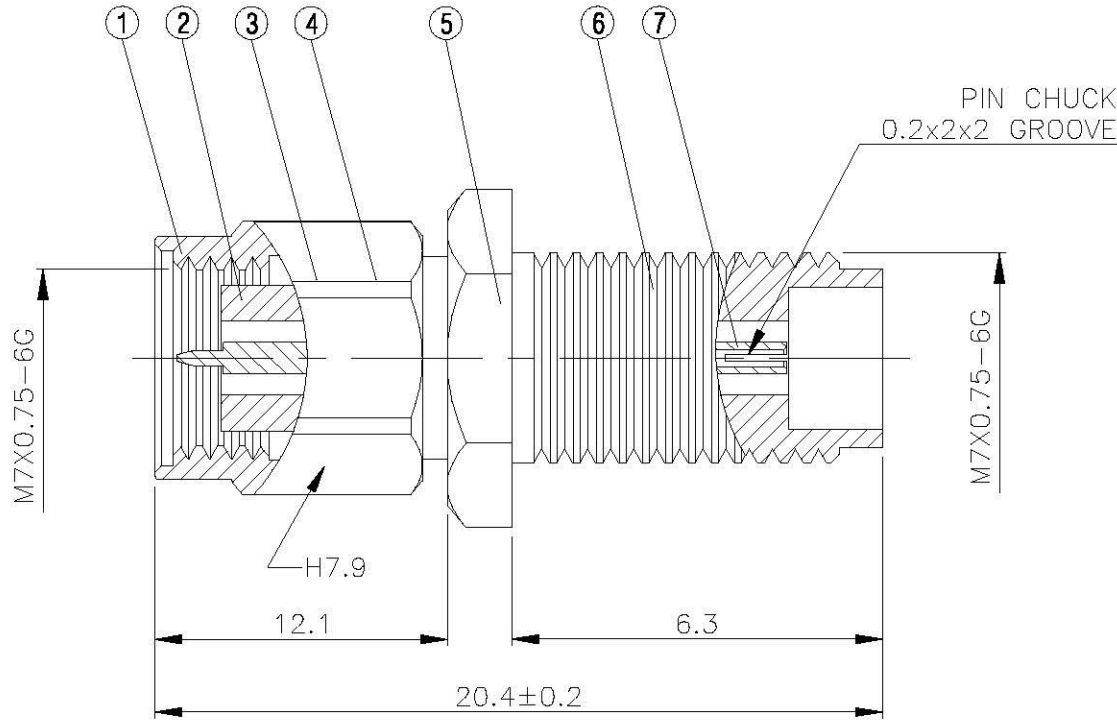
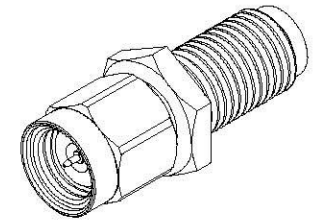


NO	DESCRIPTION	MATERIAL	Q'TY	FINISH	REMARK
1	BODY 1	SUS303	1	PASSIVATED	B-2401517-SUS
2	BODY 2	SUS303	1	PASSIVATED	B-2401525-SUS
3	GASKET	SI RUBBER	1	RUBBER	RU-0008
4	WASHER	SUS303	1	PASSIVATED	W-0012
5	BODY 3	SUS303	1	PASSIVATED	B-2401526-SUS
6	INSULATION	UPE	1	UPE	I-0688P
7	PIN	BE CU	1	GOLD	P-2401035-G



**All Connectors**  
 www.allconnectors.de  
 Tel.: 0049 711 7009003  
 A/2/11 Hürstahl - Germany

**mailto:info@allconnectors.de**  
 Fax: 0049 711 7009004  
 Rev: 01/11/11

**TITLE** 240 FEMALE BULKHEAD  
 - 240 MALE STRAIGHT

**PART NO.** 240-09-PGSUS

**DRAWING NO.** 240-09-PGSUS

**DRAWN** 蘇志欣 **DATE** 98.11.13

**CHECKED** 蘇姿潔 **DATE**

**Q.A.** 林妙樺 **DATE**

**APPROVAL** 徐燦霖 **DATE**

**REVISION** **DATE**

**DIMENSIONS ARE IN MILLIMETERS**

**UNLESS OTHERWISE SPECIFIED TOLERANCE**

0.5-5 = ±0.2	120-315 = ±1
5-30 = ±0.4	315-1000 = ±1.6
30-120 = ±0.6	1000-2000 = ±2.4

**SCALE** 4:1 **SIZE** A

**REVISION**

DESCRIPTION	ENGINEER