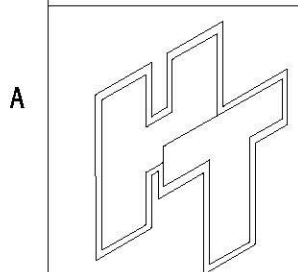
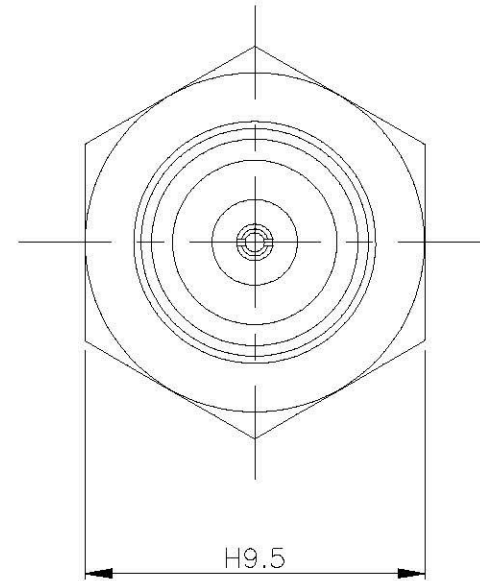
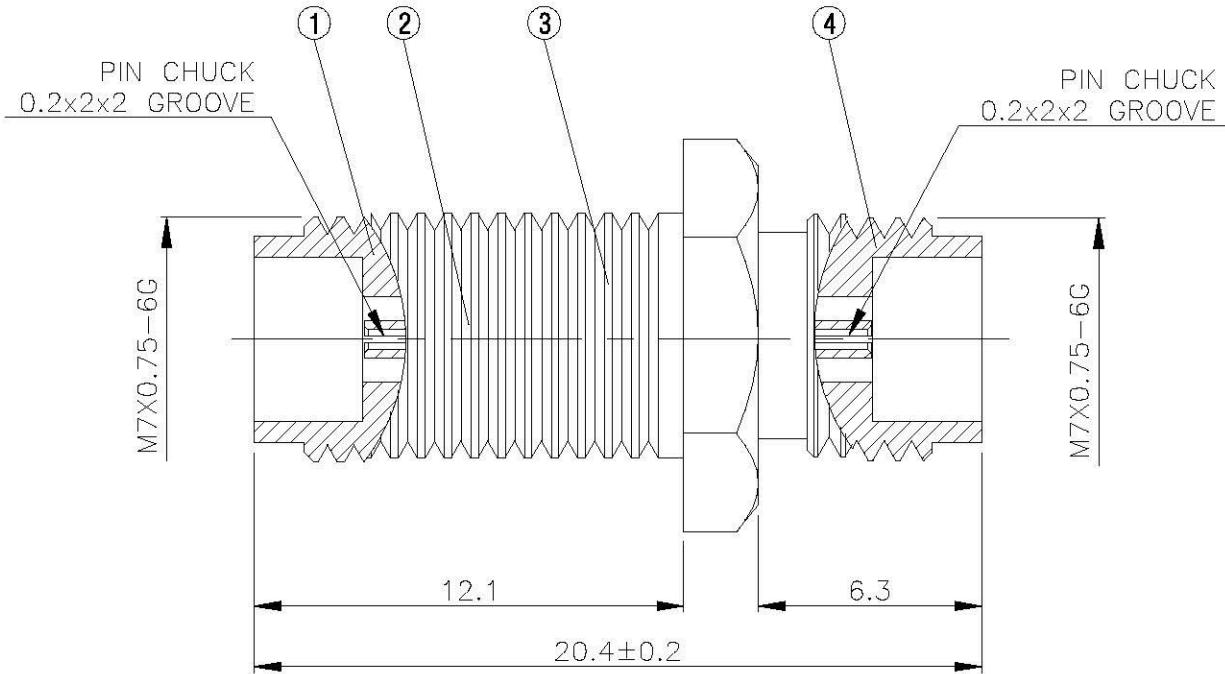
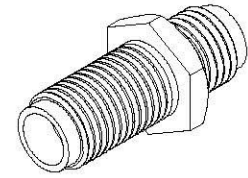


| NO | DESCRIPTION | MATERIAL | Q'TY | FINISH | REMARK |
|----|-------------|----------|------|------------|---------------|
| 1 | BODY 1 | SUS303 | 1 | PASSIVATED | B-2401526-SUS |
| 2 | PIN | BE CU | 1 | GOLD | P-2401034-G |
| 3 | INSULATION | UPE | 1 | UPE | I-0688P |
| 4 | BODY 2 | SUS303 | 1 | PASSIVATED | B-2401524-SUS |



All Connectors
 www.allconnectors.de info@allconnectors.de
 Tel.: 0049 711 7006508 Fax: 0049 711 7009504
 70736 Eilderstadt - Germany Kettm. str. 25

TITLE 240 FEMALE BULKHEAD
 - 240 FEMALE STRAIGHT
 PART NO. 240-08-PGSUS
 DRAWING NO. 240-08-PGSUS

DRAWN 蘇志欣
 CHECKED 蘇姿潔
 Q.A. 林妙樺
 APPROVAL 徐燦霖
 REVISION

DATE 98.11.13
 DATE
 DATE
 DATE
 DATE

DIMENSIONS ARE IN MILLIMETERS
 UNLESS OTHERWISE SPECIFIED TOLERANCE
 0.5-5=±0.2 120-315=±1
 5-30=±0.4 315-1000=±1.6
 30-120±0.6 1000-2000=±2.4
 SCALE 4:1 SIZE A

| REVISION | |
|-------------|----------|
| DESCRIPTION | ENGINEER |
| | |
| | |
| | |