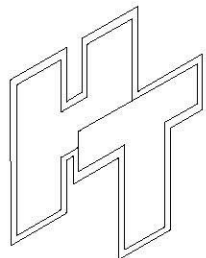
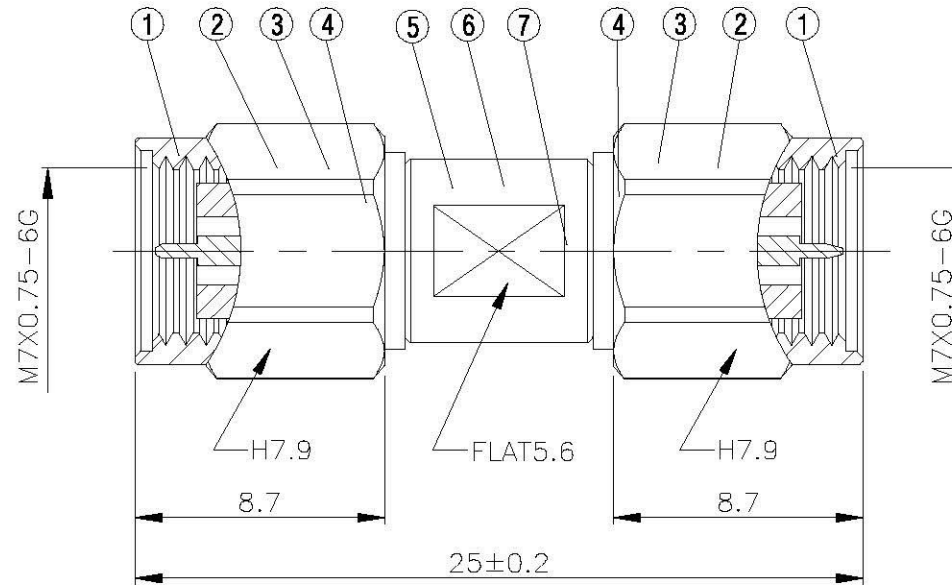
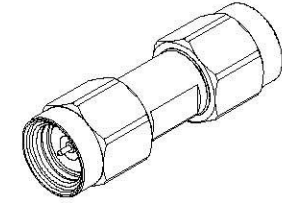


NO	DESCRIPTION	MATERIAL	Q'TY	FINISH	REMARK
1	BODY 1	SUS303	2	PASSIVATED	B-2401517-SUS
2	GASKET	SI RUBBER	2	RUBBER	RU-0008
3	WASHER	SUS303	2	PASSIVATED	W-0012
4	BODY 2	SUS303	2	PASSIVATED	B-2401525-SUS
5	BODY 3	SUS303	1	PASSIVATED	B-2401523-SUS
6	INSULATION	UPE	1	UPE	I-0688P
7	PIN	PH.BRONZE	1	GOLD	P-2401033-G



**All Connectors**

www.allconnectors.de  
Tel: +0049 711 7029500  
Mühlstraße 15, Germany

info@allconnectors.de  
Fax: +0049 711 7029501  
Kottbusstr. 25

TITLE  
**240 MALE - 240 MALE STRAIGHT**

PART NO.  
**240-07-PGSUS**

DRAWING NO. **240-07-PGSUS**

DRAWN **蘇志欣** DATE **98.11.13**

CHECKED **蘇姿潔** DATE

Q.A. **林妙樺** DATE

APPROVAL **徐燦霖** DATE

REVISION DATE

DIMENSIONS ARE IN MILLIMETERS

UNLESS OTHERWISE SPECIFIED  
TOLERANCE

0.5-5=±0.2 120-315=±1

5-30=±0.4 315-1000=±1.6

30-120±0.6 1000-2000=±2.4

SCALE 4:1 SIZE A

REVISION

DESCRIPTION	ENGINEER

D

D

C

C

B

B

A

A

4

3

2

1