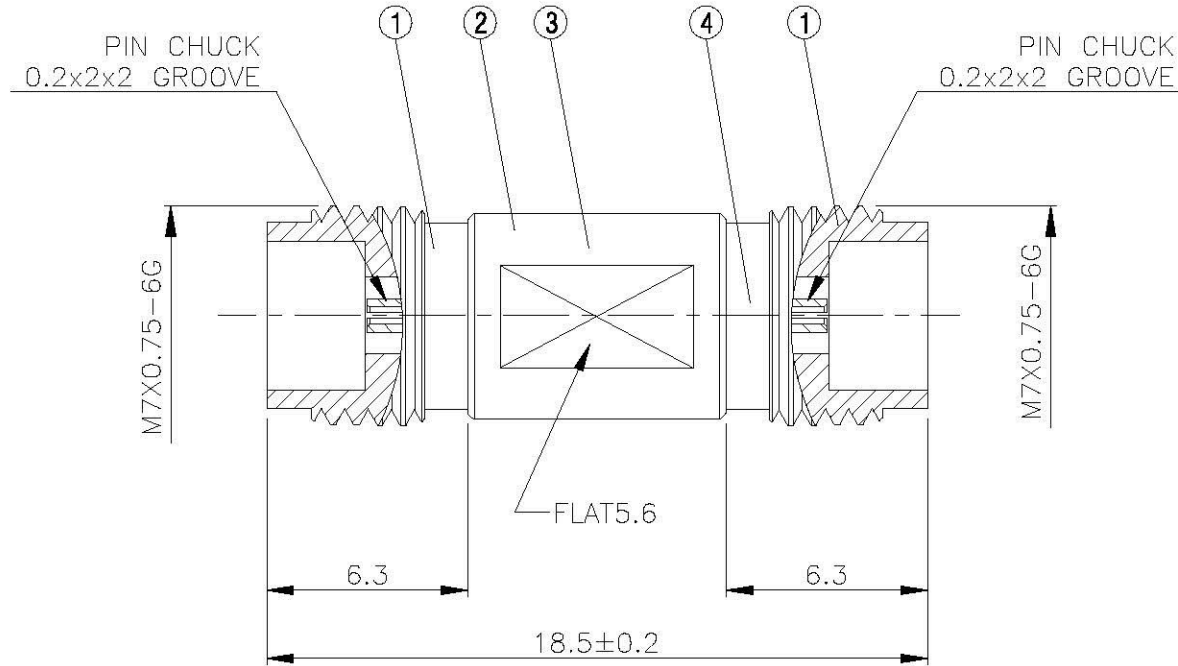
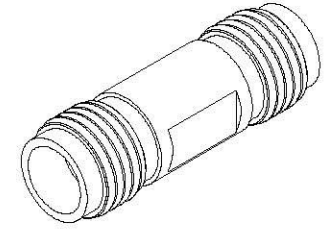


NO	DESCRIPTION	MATERIAL	Q'TY	FINISH	REMARK
1	BODY 1	SUS303	2	PASSIVATED	B-2401524-SUS
2	BODY 2	SUS303	1	PASSIVATED	B-2401523-SUS
3	INSULATION	UPE	1	UPE	I-0688P
4	PIN	BE CU	1	GOLD	P-2401032-G



	All Connectors <small>www.allconnectors.de Tel.: 0049 713 7007503 all@allconnectors.de</small> <small>info@allconnectors.de Tel.: 0049 713 7007504 kott@allconnectors.de</small>	DRAWN 蘇志欣 DATE 98.11.13	DIMENSIONS ARE IN MILLIMETERS			REVISION	
		CHECKED 蘇姿潔 DATE	UNLESS OTHERWISE SPECIFIED TOLERANCE			DESCRIPTION	ENGINEER
		Q.A. 林妙樺 DATE	0.5-5=±0.2 120-315=±1				
		APPROVAL 徐燦霖 DATE	5-30=±0.4 315-1000=±1.6				
		REVISION DATE	30-120±0.6 1000-2000=±2.4				
TITLE 240 FEMALE - 240 FEMALE STRAIGHT	PART NO. 240-06-PGSUS		SCALE 4:1	SIZE A			
DRAWING NO. 240-06-PGSUS							