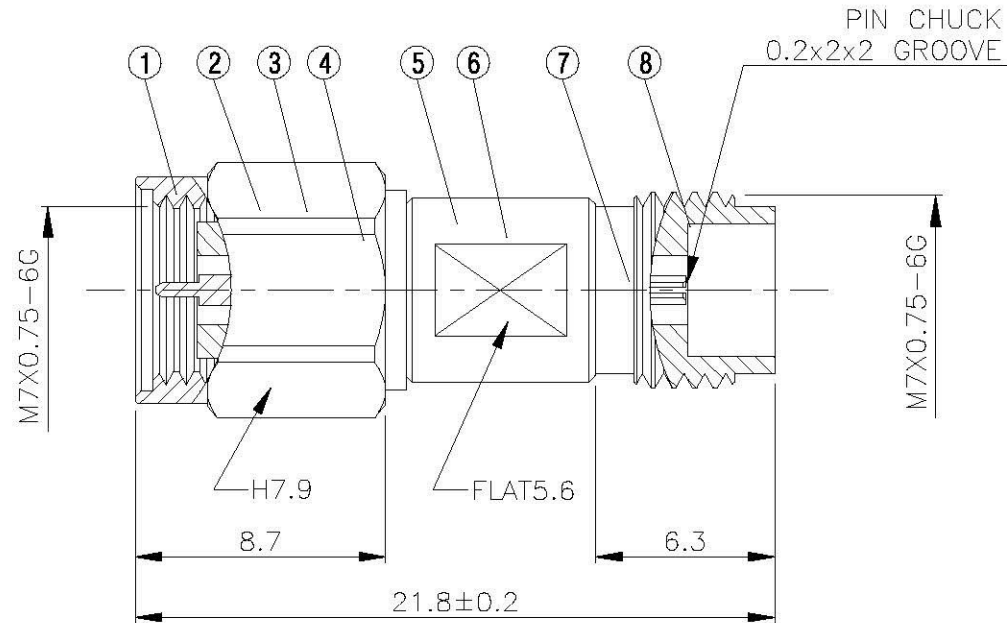
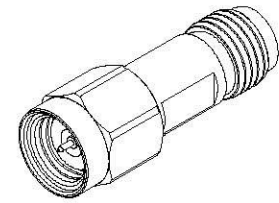


NO	DESCRIPTION	MATERIAL	Q'TY	FINISH	REMARK
1	BODY 1	SUS303	1	PASSIVATED	B-2401517-SUS
2	GASKET	SI RUBBER	1	RUBBER	RU-0008
3	WASHER	SUS303	1	PASSIVATED	W-0012
4	BODY 2	SUS303	1	PASSIVATED	B-2401525-SUS
5	BODY 3	SUS303	1 </td <td>PASSIVATED</td> <td>B-2401523-SUS</td>	PASSIVATED	B-2401523-SUS
6	INSULATION	UPE	1	UPE	I-0688P
7	PIN	BE CU	1	GOLD	P-2401031-G
8	BODY 5	SUS303	1	PASSIVATED	B-2401524-SUS



		DRAWN 蘇志欣 DATE 98.11.13	DIMENSIONS ARE IN MILLIMETERS		REVISION	
	<small>www.allconnectors.de info@allconnectors.de Katharinenstr. 25</small>	CHECKED 蘇姿潔 DATE	UNLESS OTHERWISE SPECIFIED TOLERANCE		DESCRIPTION	ENGINEER
	TITLE 240 MALE - 240 FEMALE STRAIGHT	Q.A. 林妙樺 DATE	0.5-5=±0.2 120-315=±1			
	PART NO. 240-05-PGSUS	APPROVAL 徐燦霖 DATE	5-30= ±0.4 315-1000=±1.6			
	DRAWING NO. 240-05-PGSUS	REVISION DATE	30-120±0.6 1000-2000=±2.4	SCALE 4:1	SIZE A	