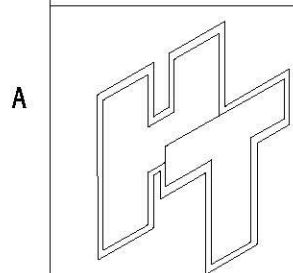
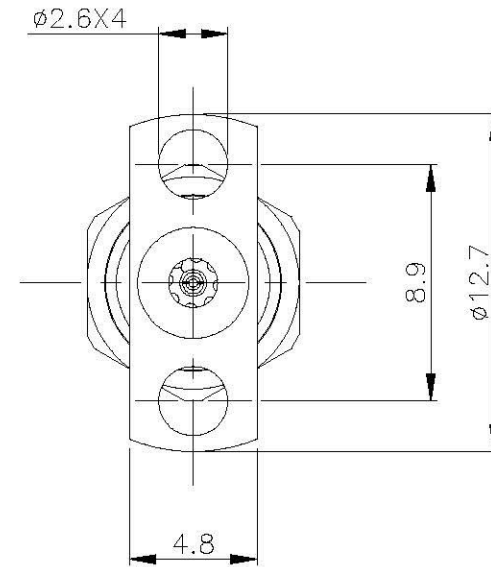
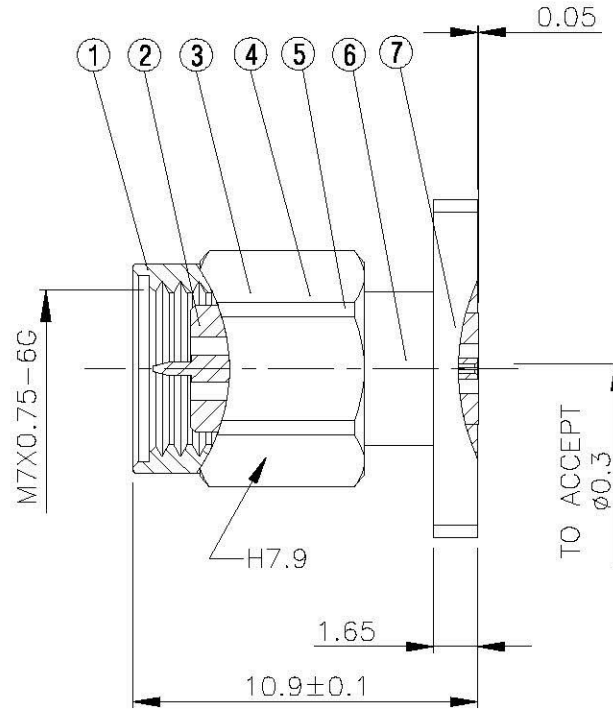
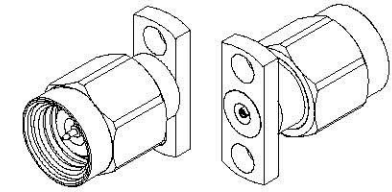


NO	DESCRIPTION	MATERIAL	Q'TY	FINISH	REMARK
1	BODY 1	SUS303	1	PASSIVATED	B-2401517-SUS
2	BODY 5	SUS303	1	PASSIVATED	B-2401522-SUS
3	GASKET	SI RUBBER	1	RUBBER	RU-0008
4	WASHER	SUS303	1	PASSIVATED	W-0012
5	INSULATION	UPE	1	UPE	I-0688P
6	PIN	BE CU	1	GOLD	P-2401030-G
7	BODY 5	BRASS	1	GOLD	B-2401512-G



All Connectors

www.allconnectors.de
tel: 0049 7031 400408
50754 Filder-Edell - Germany

info@allconnectors.de
fax: 0049 7031 400409
R-Holzweg 25

TITLE 240 MALE 2 HOLE MOUNT
TO ACCEPT $\phi 0.3$

PART NO. 240-04V6-PGSUS-1

DRAWING NO. 240-04V6-PGSUS-1

DRAWN 蘇志欣 DATE 98.11.13

CHECKED 蘇姿潔 DATE

Q.A. 林妙樺 DATE

APPROVAL 徐燦霖 DATE

REVISION DATE

DIMENSIONS ARE IN MILLIMETERS

UNLESS OTHERWISE SPECIFIED
TOLERANCE

0.5-5=±0.2 120-315=±1

5-30=±0.4 315-1000=±1.6

30-120±0.6 1000-2000=±2.4

SCALE 4:1 SIZE A

REVISION

DESCRIPTION ENGINEER

A

A

4

3

2

1