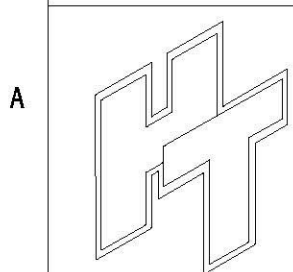
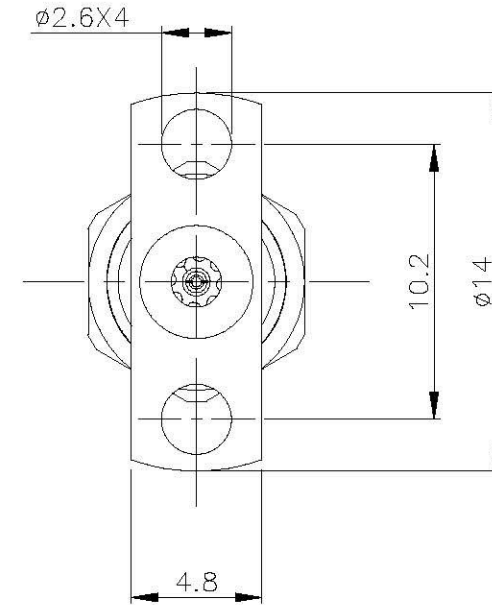
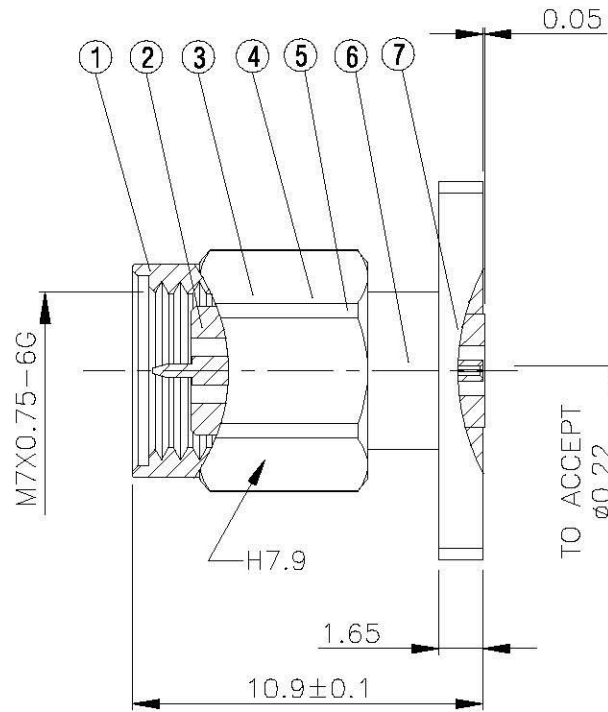
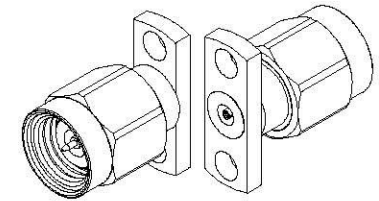


NO	DESCRIPTION	MATERIAL	Q'TY	FINISH	REMARK
1	BODY 1	SUS303	1	PASSIVATED	B-2401517-SUS
2	BODY 5	SUS303	1	PASSIVATED	B-2401521-SUS
3	GASKET	SI RUBBER	1	RUBBER	RU-0008
4	WASHER	SUS303	1	PASSIVATED	W-0012
5	INSULATION	UPE	1	UPE	I-0688P
6	PIN	BE CU	1	GOLD	P-2401029-G
7	BODY 5	BRASS	1	GOLD	B-2401512-G



All Connectors

www.allconnectors.de
Tel.: 0049 711 7003503
40799 Kilderstadt Germany

info@allconnectors.de
Fax: 0049 711 7003504
Kottbusstr. 25

TITLE 240 MALE 2 HOLE MOUNT
TO ACCEPT $\phi 0.22$

PART NO. 240-04V5-PGSUS

DRAWING NO. 240-04V5-PGSUS

DRAWN 蘇志欣 DATE 98.11.13

CHECKED 蘇姿潔 DATE

Q.A. 林妙樺 DATE

APPROVAL 徐燦霖 DATE

REVISION DATE

DIMENSIONS ARE IN MILLIMETERS

UNLESS OTHERWISE SPECIFIED
TOLERANCE

0.5-5=±0.2 120-315=±1

5-30=±0.4 315-1000=±1.6

30-120±0.6 1000-2000=±2.4

SCALE 4:1 SIZE A

REVISION

DESCRIPTION ENGINEER

D

C

B

A

D

C

B

A