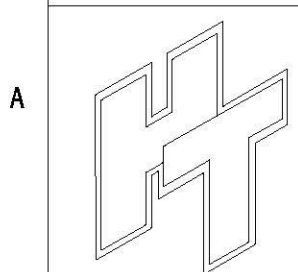
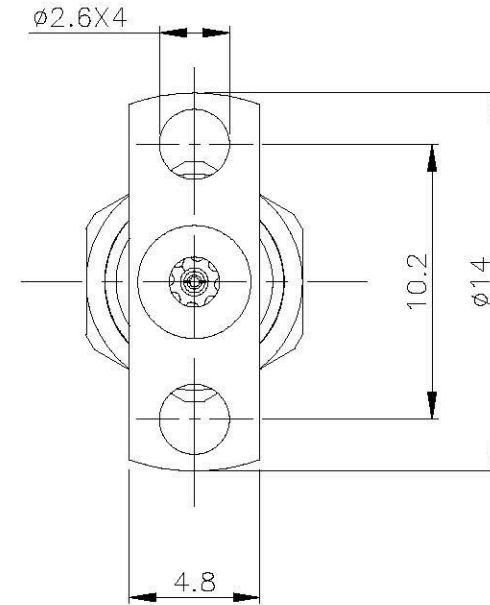
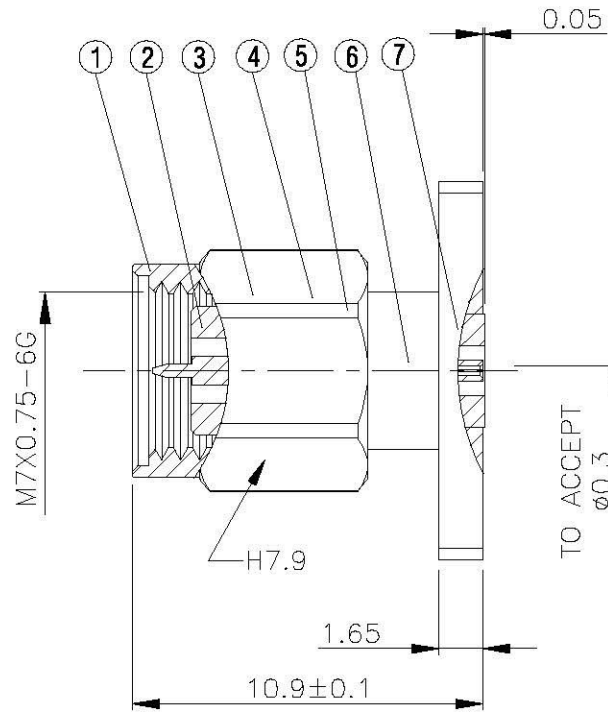
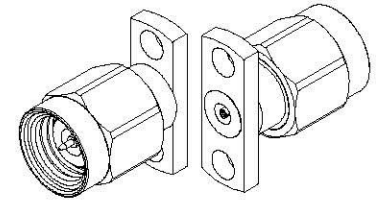


NO	DESCRIPTION	MATERIAL	Q'TY	FINISH	REMARK
1	BODY 1	SUS303	1	PASSIVATED	B-2401517-SUS
2	BODY 5	SUS303	1	PASSIVATED	B-2401521-SUS
3	GASKET	SI RUBBER	1	RUBBER	RU-0008
4	WASHER	SUS303	1	PASSIVATED	W-0012
5	INSULATION	UPE	1	UPE	I-0688P
6	PIN	BE CU	1	GOLD	P-2401030-G
7	BODY 5	BRASS	1	GOLD	B-2401512-G



All Connectors
 www.allconnectors.de info@allconnectors.de
 Tel: +49 43 990846 Fax: +49 43 990849
 22799 Flensburg - Germany E-Mail: info@ac.de

TITLE 240 MALE 2 HOLE MOUNT TO ACCEPT ø0.3

PART NO. 240-04V5-PGSUS-1

DRAWING NO. 240-04V5-PGSUS-1

DRAWN 蘇志欣 **DATE** 98.11.13

CHECKED 蘇姿潔 **DATE**

Q.A. 林妙樺 **DATE**

APPROVAL 徐燦霖 **DATE**

REVISION **DATE**

DIMENSIONS ARE IN MILLIMETERS

UNLESS OTHERWISE SPECIFIED TOLERANCE

0.5-5=±0.2 120-315=±1
 5-30= ±0.4 315-1000=±1.6
 30-120±0.6 1000-2000=±2.4

SCALE 4:1 SIZE A

REVISION	
DESCRIPTION	ENGINEER