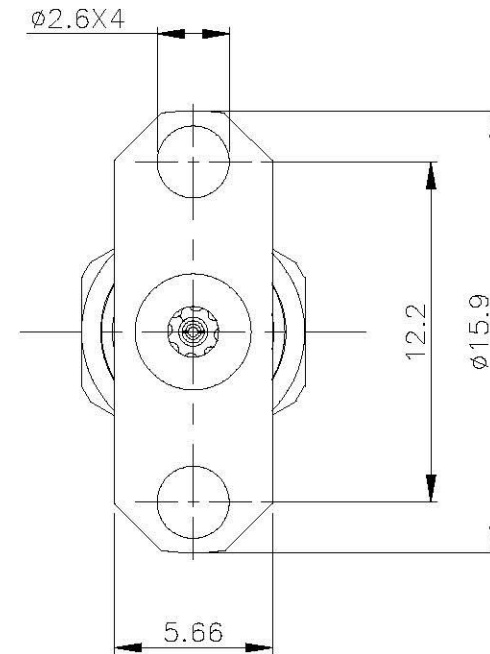
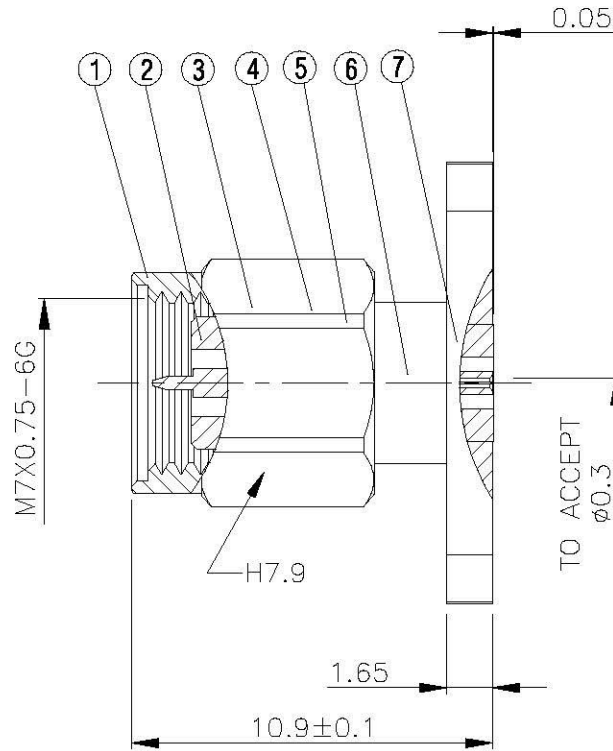
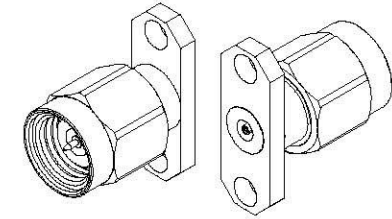


NO	DESCRIPTION	MATERIAL	Q'TY	FINISH	REMARK
1	BODY 1	SUS303	1	PASSIVATED	B-2401517-SUS
2	BODY 5	SUS303	1	PASSIVATED	B-2401520-SUS
3	GASKET	SI RUBBER	1	RUBBER	RU-0008
4	WASHER	SUS303	1	PASSIVATED	W-0012
5	INSULATION	UPE	1	UPE	I-0688P
6	PIN	BE CU	1	GOLD	P-2401030-G
7	BODY 5	BRASS	1	GOLD	B-2401512-G



	All Connectors <small>www.allconnectors.ch Tel: +41 78 721 2802 70721 Fildesriede - Germany info@allconnectors.ch Fax: +41 78 721 2809 KEMPERSTR. 20</small>		DRAWN 蘇志欣 DATE 98.11.13	DIMENSIONS ARE IN MILLIMETERS		REVISION	
	TITLE 240 MALE 2 HOLE MOUNT TO ACCEPT ø0.3		CHECKED 蘇姿潔 DATE	UNLESS OTHERWISE SPECIFIED TOLERANCE		DESCRIPTION	ENGINEER
	PART NO. 240-04-PGSUS-1		Q.A. 林妙樺 DATE	0.5-5=±0.2 120-315=±1 5-30= ±0.4 315-1000=±1.6 30-120±0.6 1000-2000=±2.4			
	DRAWING NO. 240-04-PGSUS-1		APPROVAL 徐燦霖 DATE	SCALE 4:1 SIZE A			
			REVISION DATE				