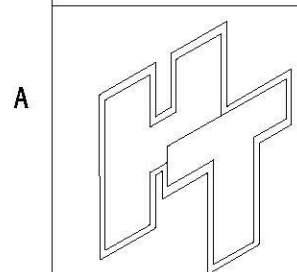
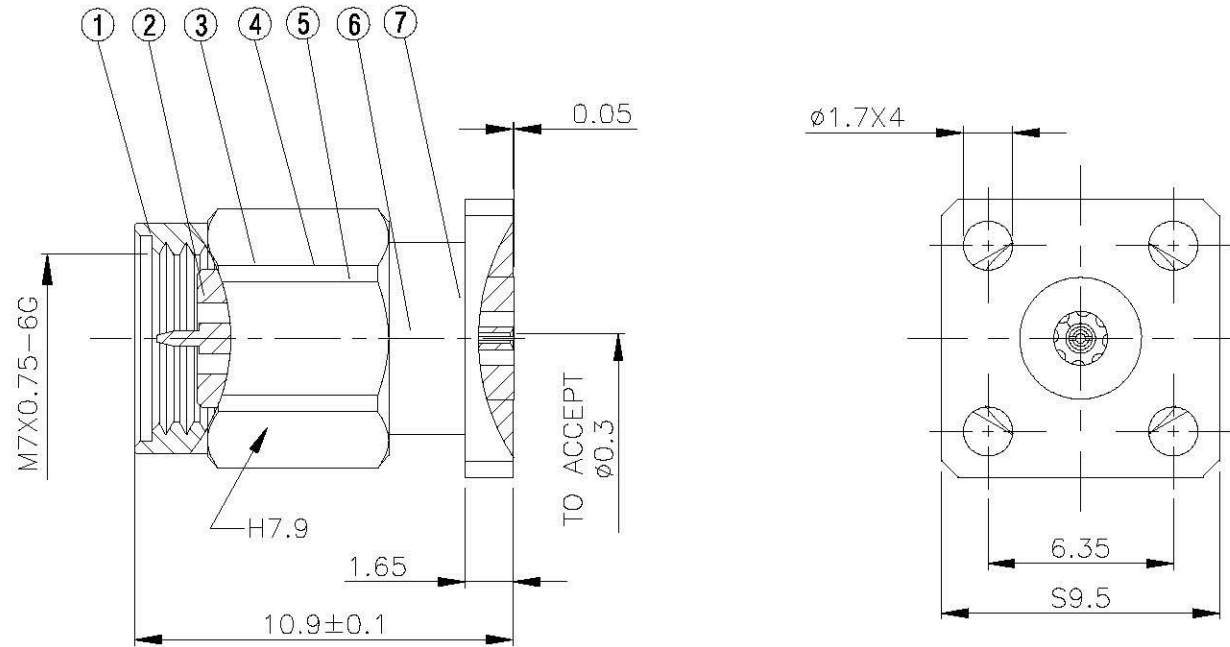
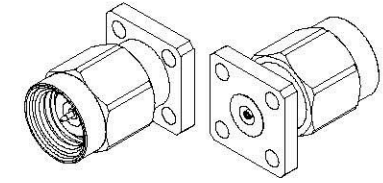


NO	DESCRIPTION	MATERIAL	Q'TY	FINISH	REMARK
1	BODY 1	SUS303	1	PASSIVATED	B-2401517-SUS
2	BODY 5	SUS303	1	PASSIVATED	B-2401519-SUS
3	GASKET	SI RUBBER	1	RUBBER	RU-0008
4	WASHER	SUS303	1	PASSIVATED	W-0012
5	INSULATION	UPE	1	UPE	I-0688P
6	PIN	BE CU	1	GOLD	P-2401030-G
7	BODY 5	BRASS	1	GOLD	B-2401512-G



**All Connectors**  
 www.allconnectors.com    info@allconnectors.com  
 tel: 0086 755 20092603    fax: 0086 755 20026504  
 20294 Pillerstrasse    Germany    Kollmacherstr. 25

**TITLE 240 MALE 4 HOLE MOUNT TO ACCEPT Ø0.3**

**PART NO. 240-03V5-PGSUS-1**

**DRAWING NO. 240-03V5-PGSUS-1**

DRAWN	蘇志欣	DATE	98.11.13
CHECKED	蘇姿潔	DATE	
Q.A.	林妙樺	DATE	
APPROVAL	徐燦霖	DATE	
REVISION		DATE	

**DIMENSIONS ARE IN MILLIMETERS**

**UNLESS OTHERWISE SPECIFIED TOLERANCE**

0.5-5=±0.2	120-315=±1
5-30=±0.4	315-1000=±1.6
30-120±0.6	1000-2000=±2.4

**SCALE 4:1    SIZE A**

REVISION	
DESCRIPTION	ENGINEER