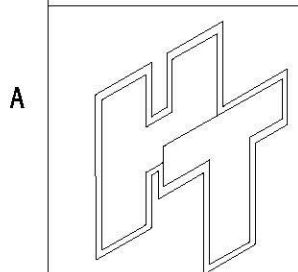
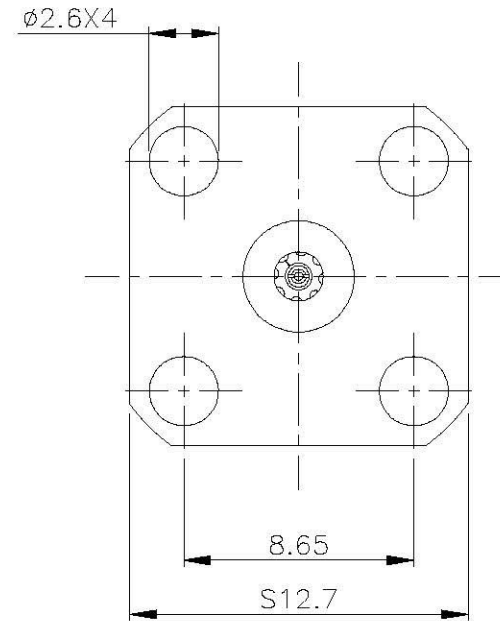
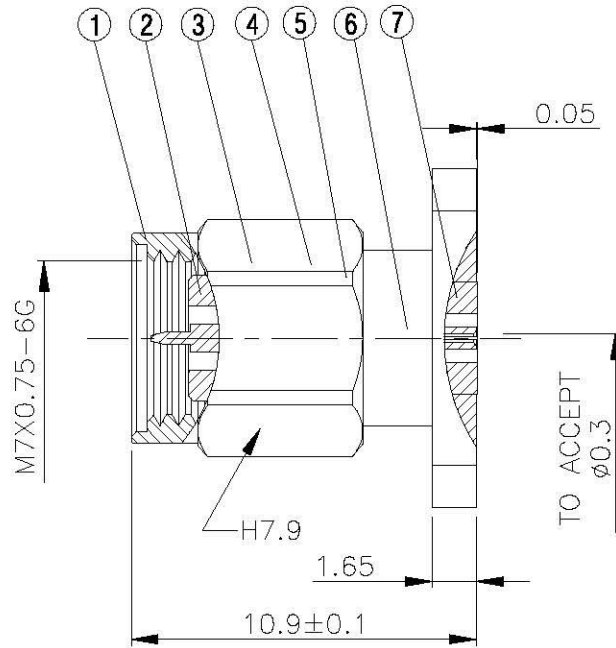
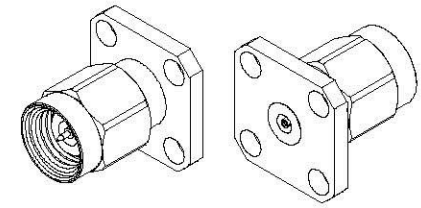


NO	DESCRIPTION	MATERIAL	Q'TY	FINISH	REMARK
1	BODY 1	SUS303	1	PASSIVATED	B-2401517-SUS
2	BODY 5	SUS303	1	PASSIVATED	B-2401518-SUS
3	GASKET	SI RUBBER	1	RUBBER	RU-0008
4	WASHER	SUS303	1	PASSIVATED	W-0012
5	INSULATION	UPE	1	UPE	I-0688P
6	PIN	BE CU	1	GOLD	P-2401030-G
7	BODY 5	BRASS	1	GOLD	B-2401512-G



All Connectors
 www.allconnectors.de
 Tel.: 0049 7443 7008508
 79274 Hilsbergstr. - Germany
 info@allconnectors.de
 Fax: 0049 7443 7008504
 Kettlerstr. 11, 45

TITLE 240 MALE 4 HOLE MOUNT TO ACCEPT Ø0.3

PART NO. 240-03-PGSUS-1

DRAWING NO. 240-03-PGSUS-1

DRAWN	蘇志欣	DATE	98.11.13
CHECKED	蘇姿潔	DATE	
Q.A.	林妙樺	DATE	
APPROVAL	徐燦霖	DATE	
REVISION		DATE	

DIMENSIONS ARE IN MILLIMETERS			
UNLESS OTHERWISE SPECIFIED TOLERANCE			
0.5-5=±0.2	120-315=±1		
5-30=±0.4	315-1000=±1.6		
30-120±0.6	1000-2000=±2.4		
SCALE	4:1	SIZE	A

REVISION	
DESCRIPTION	ENGINEER