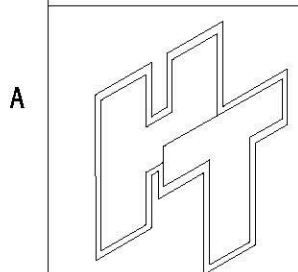
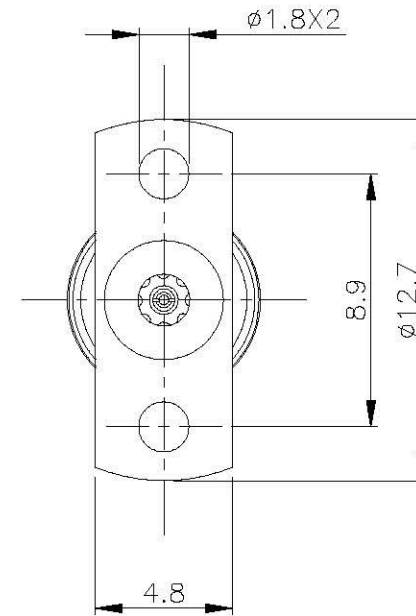
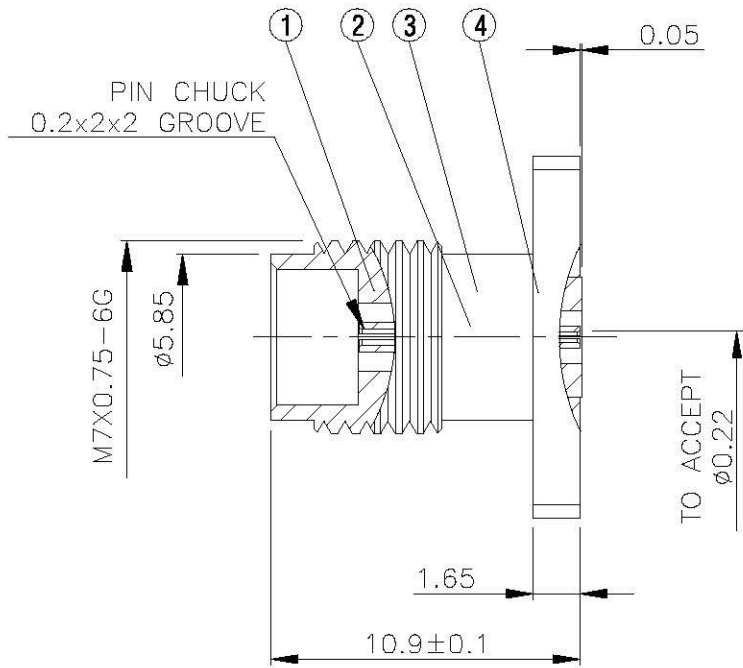
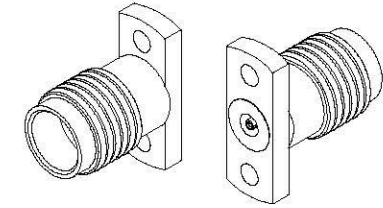


NO	DESCRIPTION	MATERIAL	Q'TY	FINISH	REMARK
1	BODY 1	SUS303	1	PASSIVATED	B-2401516-SUS
2	INSULATION	UPE	1	UPE	I-0688P
3	PIN	BE CU	1	GOLD	P-2401027-G
4	BODY 2	BRASS	1	BRASS	B-2401512-G



All Connectors

www.allconnectors.com
 Toll.: 0049 711 7006504
 70754 Filzschloß Germany

TITLE 240 FEMALE 2 HOLE MOUNT
 TO ACCEPT Ø0.22

PART NO. 240-02V6-PGSUS

DRAWING NO. 240-02V6-PGSUS

DRAWN 蘇志欣

DATE 98.11.12

CHECKED 蘇姿潔

DATE

Q.A. 林妙樺

DATE

APPROVAL 徐燦霖

DATE

REVISION

DATE

DIMENSIONS ARE IN MILLIMETERS

UNLESS OTHERWISE SPECIFIED
 TOLERANCE

0.5-5=±0.2 120-315=±1
 5-30= ±0.4 315-1000=±1.6
 30-120±0.6 1000-2000=±2.4

SCALE 4:1 SIZE A

REVISION

DESCRIPTION	ENGINEER

A

A