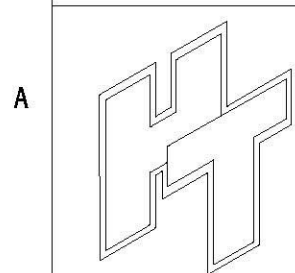
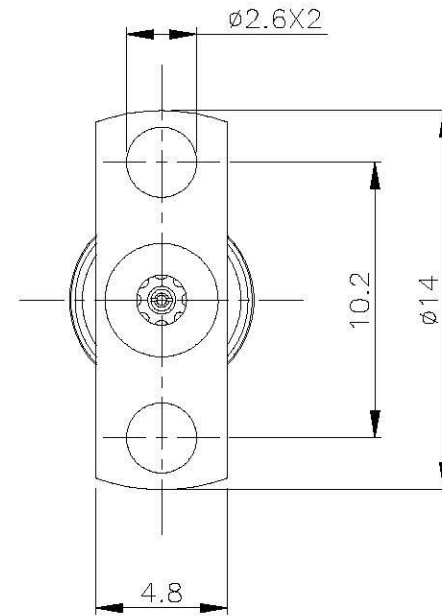
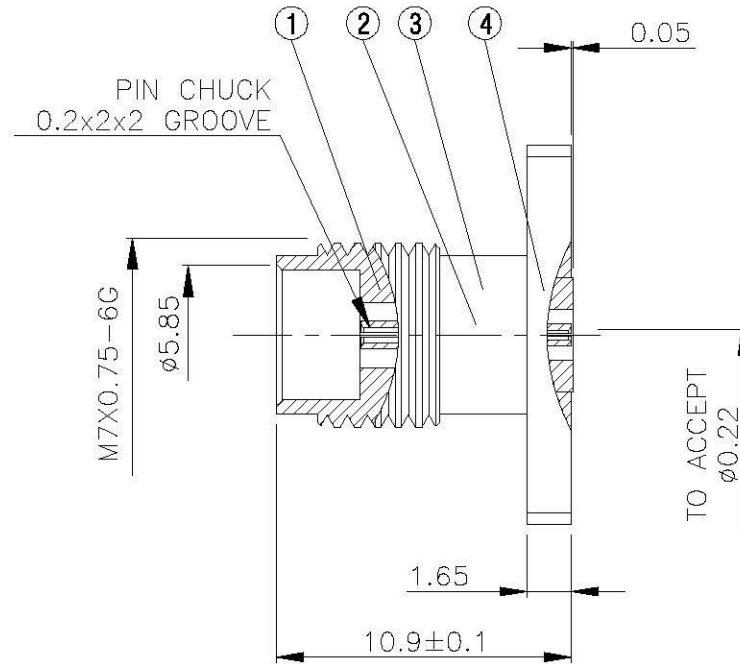
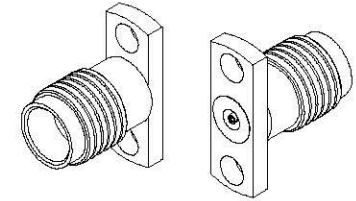


NO	DESCRIPTION	MATERIAL	Q'TY	FINISH	REMARK
1	BODY 1	SUS303	1	PASSIVATED	B-2401515-SUS
2	INSULATION	UPE	1	UPE	I-0688P
3	PIN	BE CU	1	GOLD	P-2401027-G
4	BODY 2	BRASS	1	GOLD	B-2401512-G



All Connectors

www.allconnectors.com
Tel: 0086 031 7000840
0086 031 7000840

Tringel Lane, Neirong, China
Tel: 0086 031 7000840
0086 031 7000840

TITLE 240 FEMALE 2 HOLE MOUNT
TO ACCEPT $\phi 0.22$

PART NO. 240-02V5-PGSUS

DRAWING NO. 240-02V5-PGSUS

DRAWN 蘇志欣 DATE 98.11.12

CHECKED 蘇姿潔 DATE

Q.A. 林妙樺 DATE

APPROVAL 徐燦霖 DATE

REVISION DATE

DIMENSIONS ARE IN MILLIMETERS

UNLESS OTHERWISE SPECIFIED
TOLERANCE

0.5-5= \pm 0.2 120-315= \pm 1

5-30= \pm 0.4 315-1000= \pm 1.6

30-120= \pm 0.6 1000-2000= \pm 2.4

SCALE 4:1 SIZE A

REVISION

DESCRIPTION ENGINEER