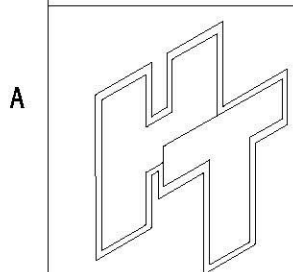
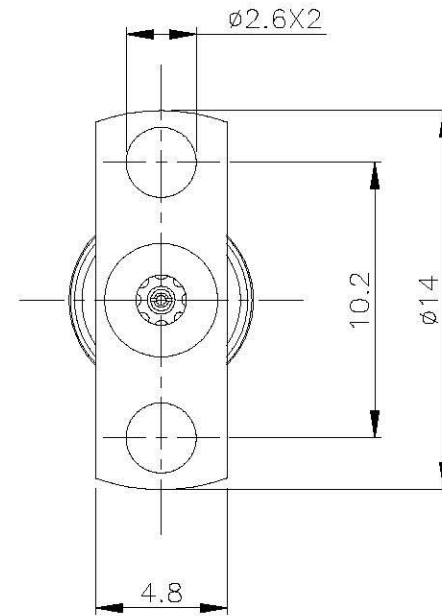
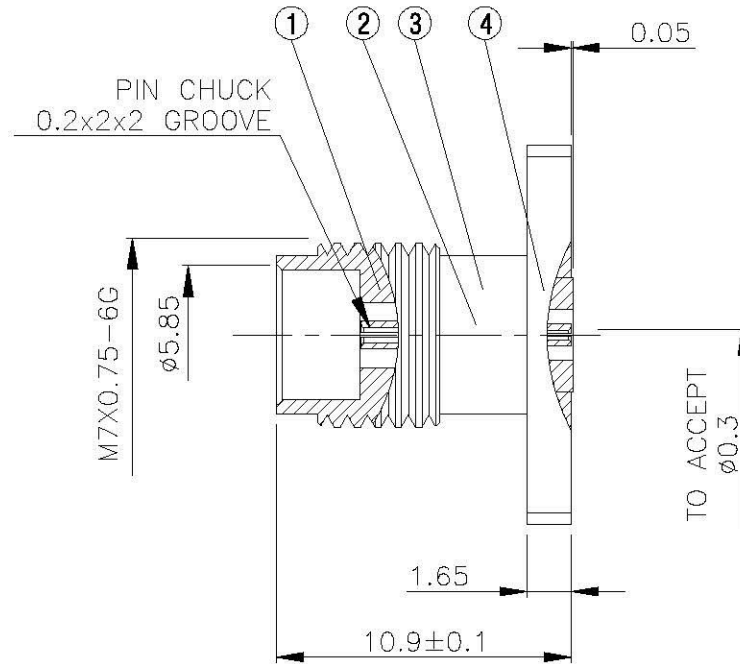
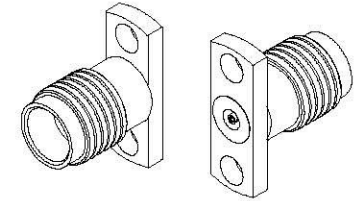


NO	DESCRIPTION	MATERIAL	Q'TY	FINISH	REMARK
1	BODY 1	SUS303	1	PASSIVATED	B-2401515-SUS
2	INSULATION	UPE	1	UPE	I-0688P
3	PIN	BE CU	1	GOLD	P-2401028-G
4	BODY 2	BRASS	1	GOLD	B-2401512-G



All Connectors

www.allconnectors.com
Tel.: 0049 711 7009508
70794 Filderstadt, Germany

TITLE 240 FEMALE 2 HOLE MOUNT
TO ACCEPT Ø0.3

PART NO. 240-02V5-PGSUS-1

DRAWING NO. 240-02V5-PGSUS-1

DRAWN 蘇志欣 DATE 98.11.12

CHECKED 蘇姿潔 DATE

Q.A. 林妙樺 DATE

APPROVAL 徐燦霖 DATE

REVISION DATE

DIMENSIONS ARE IN MILLIMETERS

UNLESS OTHERWISE SPECIFIED
TOLERANCE

0.5-5=±0.2 120-315=±1

5-30=±0.4 315-1000=±1.6

30-120±0.6 1000-2000=±2.4

SCALE 4:1 SIZE A

REVISION

DESCRIPTION	ENGINEER

D

C

B

A

D

C

B

A

4

3

2

1