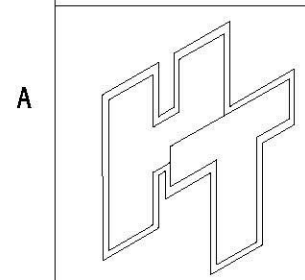
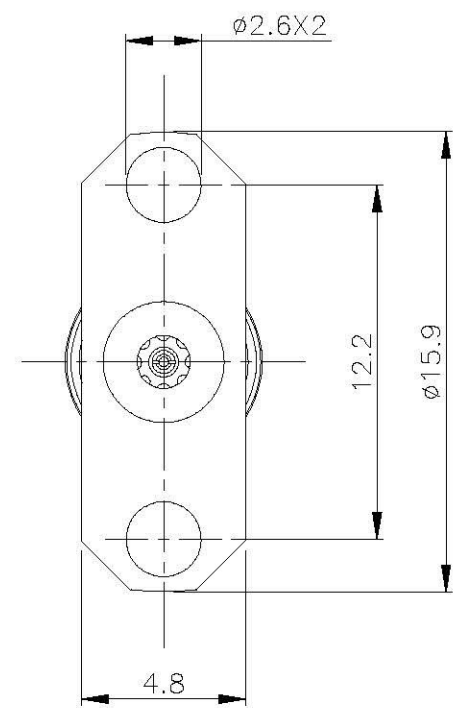
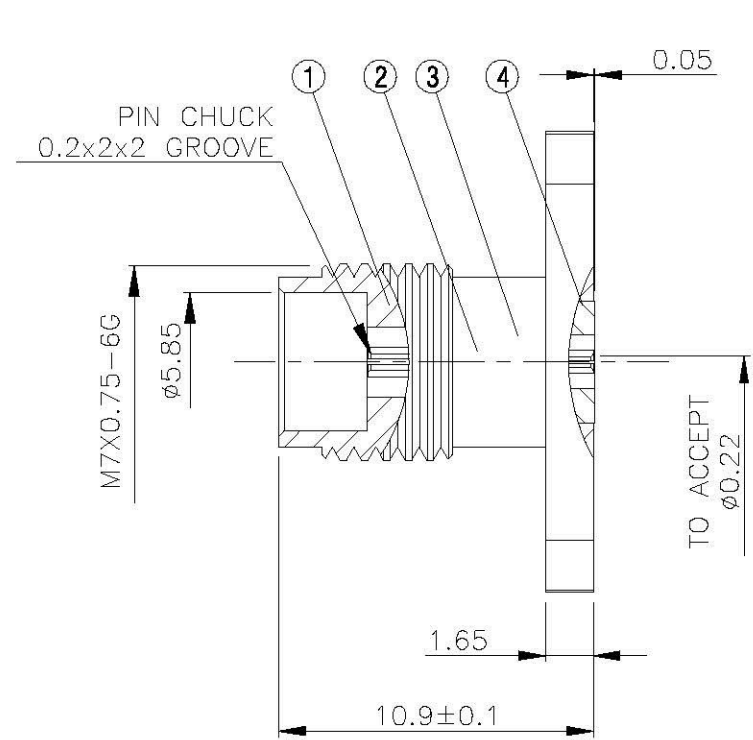
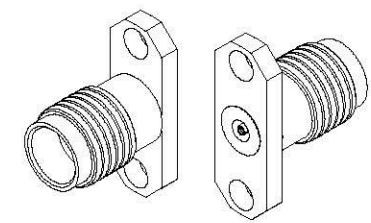


NO	DESCRIPTION	MATERIAL	Q'TY	FINISH	REMARK
1	BODY 1	SUS303	1	PASSIVATED	B-2401514-SUS
2	INSULATION	UPE	1	UPE	I-0688P
3	PIN	BE CU	1	GOLD	P-2401027-G
4	BODY 2	BRASS	1	GOLD	B-2401512-G



All Connectors
 www.allconnectors.de
 Tel: 0049 711 7003501
 50774 Filderstadt - Germany
 info@allconnectors.de
 Fax: 0049 711 7003501
 Kettnerstr. 25

**TITLE 240 FEMALE 2 HOLE MOUNT
 TO ACCEPT ø0.22**

PART NO. 240-02-PGSUS

DRAWING NO. 240-02-PGSUS

DRAWN 蘇志欣 **DATE** 98.11.12
CHECKED 蘇姿潔 **DATE**
Q.A. 林妙樺 **DATE**
APPROVAL 徐燦霖 **DATE**
REVISION **DATE**

DIMENSIONS ARE IN MILLIMETERS
UNLESS OTHERWISE SPECIFIED TOLERANCE
 0.5-5=±0.2 120-315=±1
 5-30=±0.4 315-1000=±1.6
 30-120±0.6 1000-2000=±2.4
SCALE 4:1 SIZE A

REVISION	
DESCRIPTION	ENGINEER