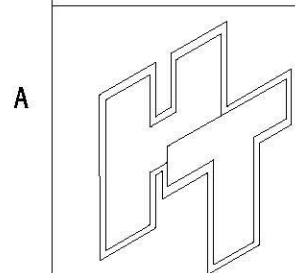
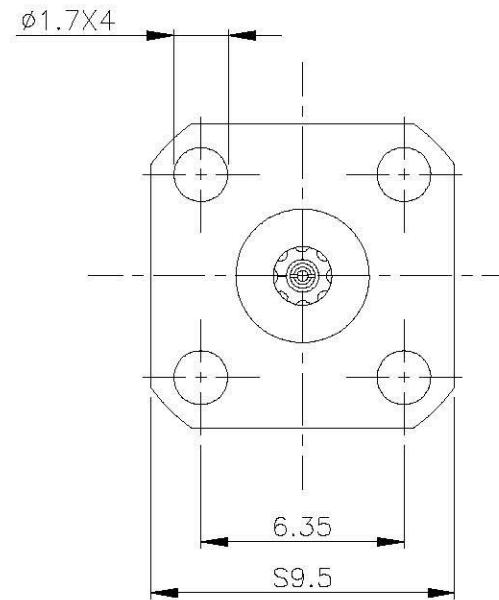
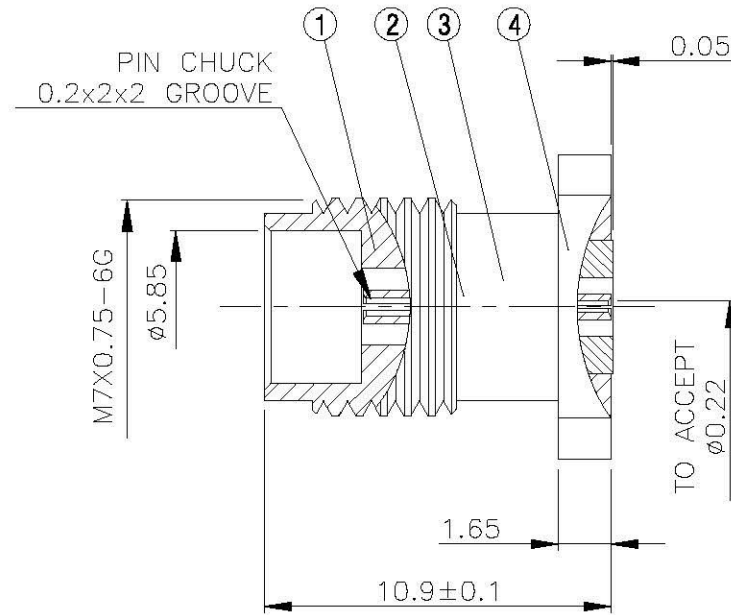
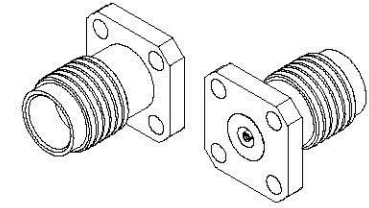


NO	DESCRIPTION	MATERIAL	Q'TY	FINISH	REMARK
1	BODY 1	SUS303	1	PASSIVATED	B-2401513-SUS
2	INSULATION	UPE	1	UPE	I-0688P
3	PIN	BE CU	1	GOLD	P-2401027-G
4	BODY 2	BRASS	1	GOLD	B-2401512-G



**All Connectors**

www.allconnectors.de  
Tel.: 0049 711 7009008  
70794 Filzschutt Germany

info@allconnectors.de  
Fax: 0049 711 7009001  
84111 Germany

TITLE 240 FEMALE 4 HOLE MOUNT  
TO ACCEPT Ø0.22

PART NO. 240-01V5-PGSUS

DRAWING NO. 240-01V5-PGSUS

DRAWN 蘇志欣 DATE 98.11.12

CHECKED 蘇姿潔 DATE

Q.A. 林妙樺 DATE

APPROVAL 徐燦霖 DATE

REVISION DATE

DIMENSIONS ARE IN MILLIMETERS

UNLESS OTHERWISE SPECIFIED  
TOLERANCE

0.5-5=±0.2 120-315=±1

5-30=±0.4 315-1000=±1.6

30-120±0.6 1000-2000=±2.4

SCALE 4:1 SIZE A

REVISION

DESCRIPTION	ENGINEER

D

D

C

C

B

B

A

A

4

3

2

1