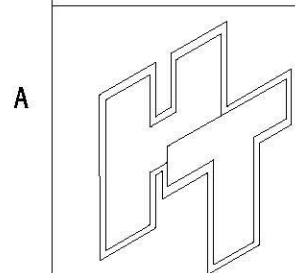
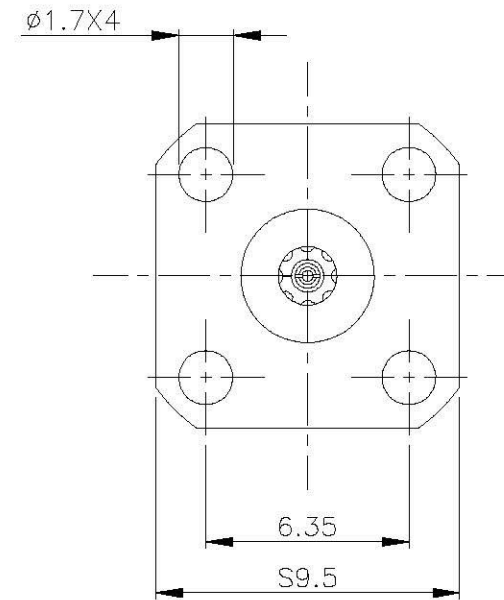
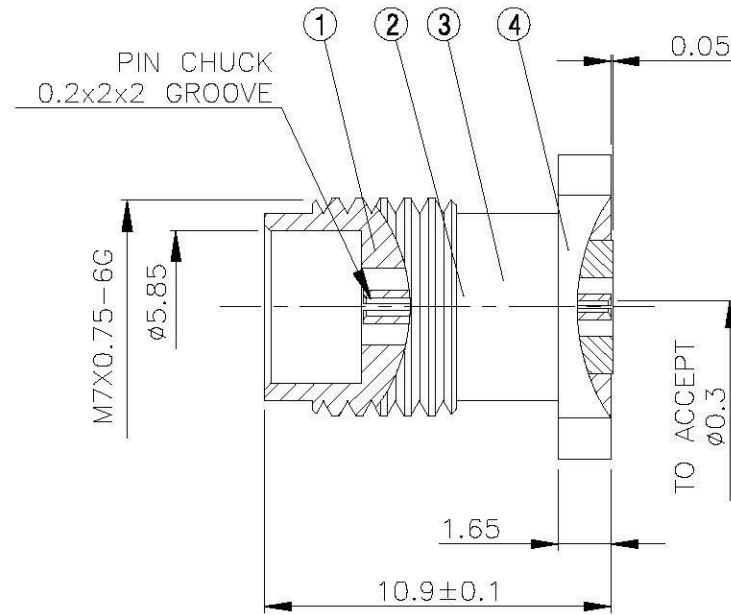
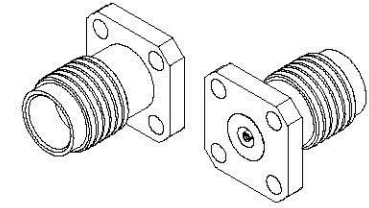


| NO | DESCRIPTION | MATERIAL | Q'TY | FINISH | REMARK |
|----|-------------|----------|------|------------|---------------|
| 1 | BODY 1 | SUS303 | 1 | PASSIVATED | B-2401513-SUS |
| 2 | INSULATION | UPE | 1 | UPE | I-0688P |
| 3 | PIN | BE CU | 1 | GOLD | P-2401028-G |
| 4 | BODY 2 | BRASS | 1 | GOLD | B-2401512-G |



All Connectors
 www.allconnectors.de info@allconnectors.de
 Tel.: 0049 731 7006094 Fax: 0049 731 7006094
 20724 Elmshorn - Germany Kabinenstr. 25

TITLE 240 FEMALE 4 HOLE MOUNT
 TO ACCEPT Ø0.3

PART NO. 240-01V5-PGSUS-1

DRAWING NO. 240-01V5-PGSUS-1

DRAWN 蘇志欣 DATE 98.11.12

CHECKED 蘇姿潔 DATE

Q.A. 林妙樺 DATE

APPROVAL 徐燦霖 DATE

REVISION DATE

DIMENSIONS ARE IN MILLIMETERS

UNLESS OTHERWISE SPECIFIED TOLERANCE
 0.5-5=±0.2 120-315=±1
 5-30=±0.4 315-1000=±1.6
 30-120±0.6 1000-2000=±2.4

SCALE 4:1 SIZE A

REVISION

| DESCRIPTION | ENGINEER |
|-------------|----------|
| | |
| | |
| | |

D

C

B

A

D

C

B

A