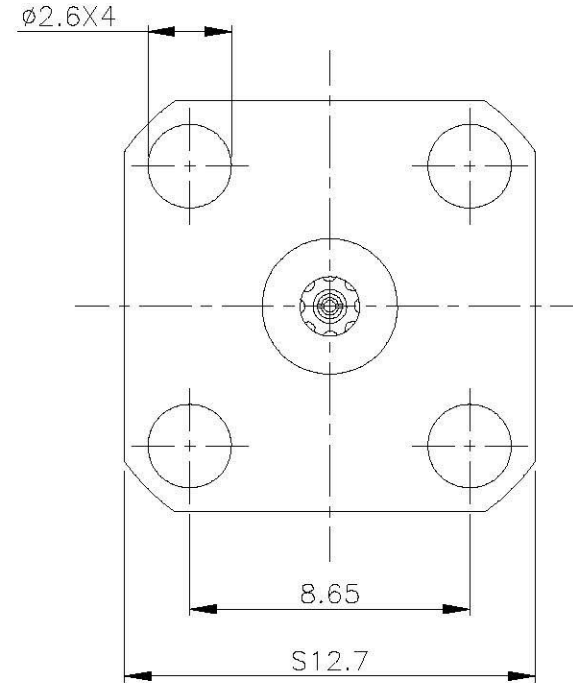
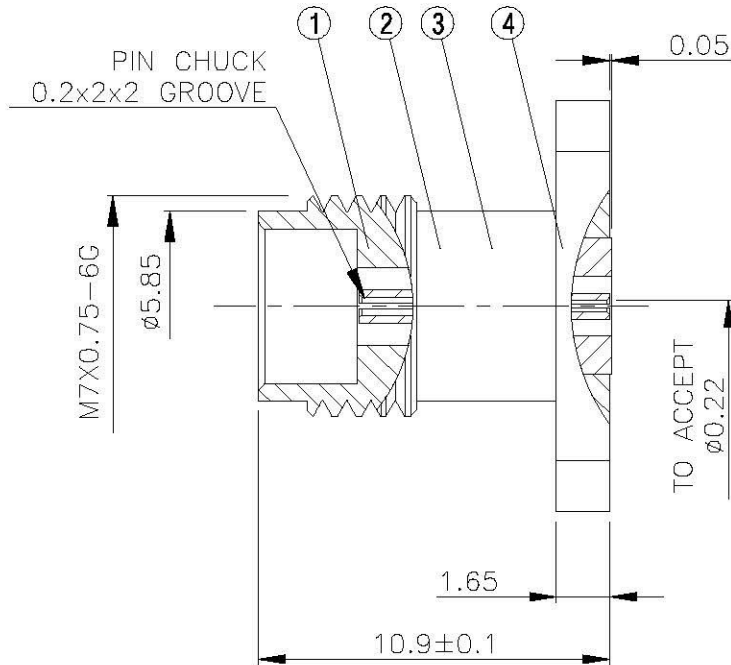
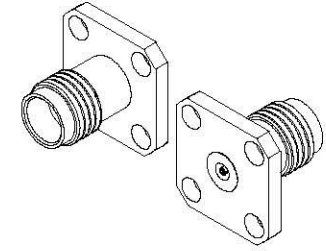


NO	DESCRIPTION	MATERIAL	Q'TY	FINISH	REMARK
1	BODY 1	SUS303	1	PASSIVATED	B-2401511-SUS
2	INSULATION	UPE	1	UPE	I-0688P
3	PIN	BE CU	1	GOLD	P-2401027-G
4	BODY 2	BRASS	1	GOLD	B-2401512-G



	Allconnectors <small>www.allconnectors.de Tel: 0049 711 7009503 70794 Filderstadt - Germany</small>	DRAWN 蘇志欣 DATE 98.11.12	DIMENSIONS ARE IN MILLIMETERS		REVISION	
	TITLE 240 FEMALE 4 HOLE MOUNT TO ACCEPT $\phi 0.22$ PART NO. 240-01-PGSUS DRAWING NO. 240-01-PGSUS	CHECKED 蘇姿潔 DATE	UNLESS OTHERWISE SPECIFIED TOLERANCE		DESCRIPTION	ENGINEER
		Q.A. 林妙樺 DATE	0.5-5=±0.2 120-315=±1 5-30=±0.4 315-1000=±1.6 30-120±0.6 1000-2000=±2.4			
		APPROVAL 徐燦霖 DATE	SCALE 4:1 SIZE A			
		REVISION DATE				