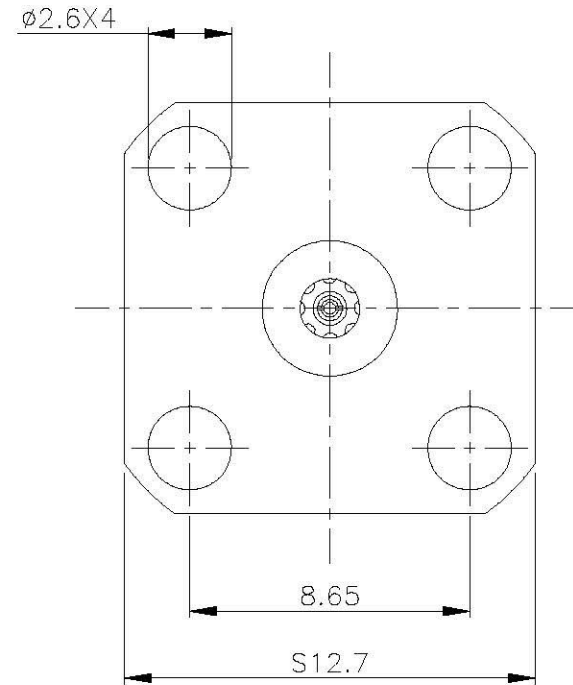
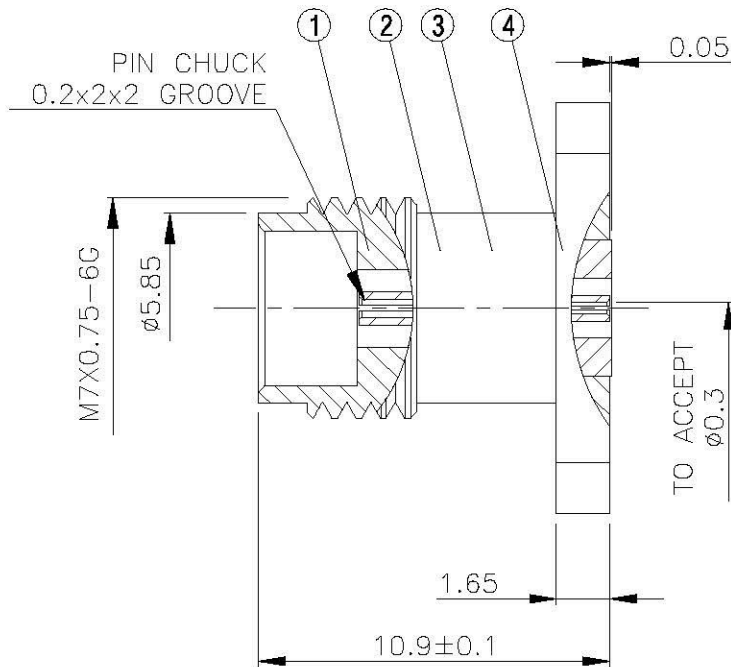
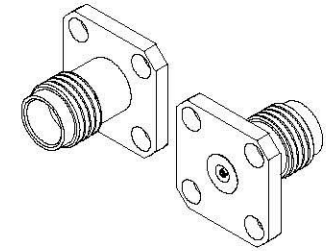
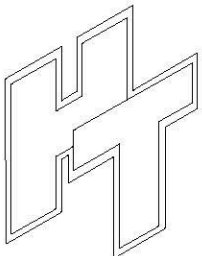


NO	DESCRIPTION	MATERIAL	Q'TY	FINISH	REMARK
1	BODY 1	SUS303	1	PASSIVATED	B-2401511-SUS
2	INSULATION	UPE	1	UPE	I-0688P
3	PIN	BE CU	1	GOLD	P-2401028-G
4	BODY 2	BRASS	1	GOLD	B-2401512-G



		DRAWN  DATE 98.11.12	DIMENSIONS ARE IN MILLIMETERS		REVISION		
	<small>www.allconnectors.de Tel: 0649 711 700508 70794 Hildersdorf Germany</small>	<small>Info@allconnectors.de Fax: 0649 711 700504 Kollmannstr. 25</small>	CHECKED  DATE	UNLESS OTHERWISE SPECIFIED TOLERANCE		DESCRIPTION	ENGINEER
	TITLE 240 FEMALE 4 HOLE MOUNT TO ACCEPT 0.3		Q.A.  DATE	0.5-5=±0.2 120-315=±1			
	PART NO. 240-01-PGSUS-1		APPROVAL  DATE	5-30= ±0.4 315-1000=±1.6			
	DRAWING NO. 240-01-PGSUS-1		REVISION DATE	30-120±0.6 1000-2000=±2.4			
			SCALE 4:1 SIZE A				