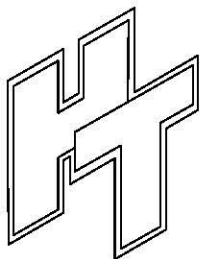
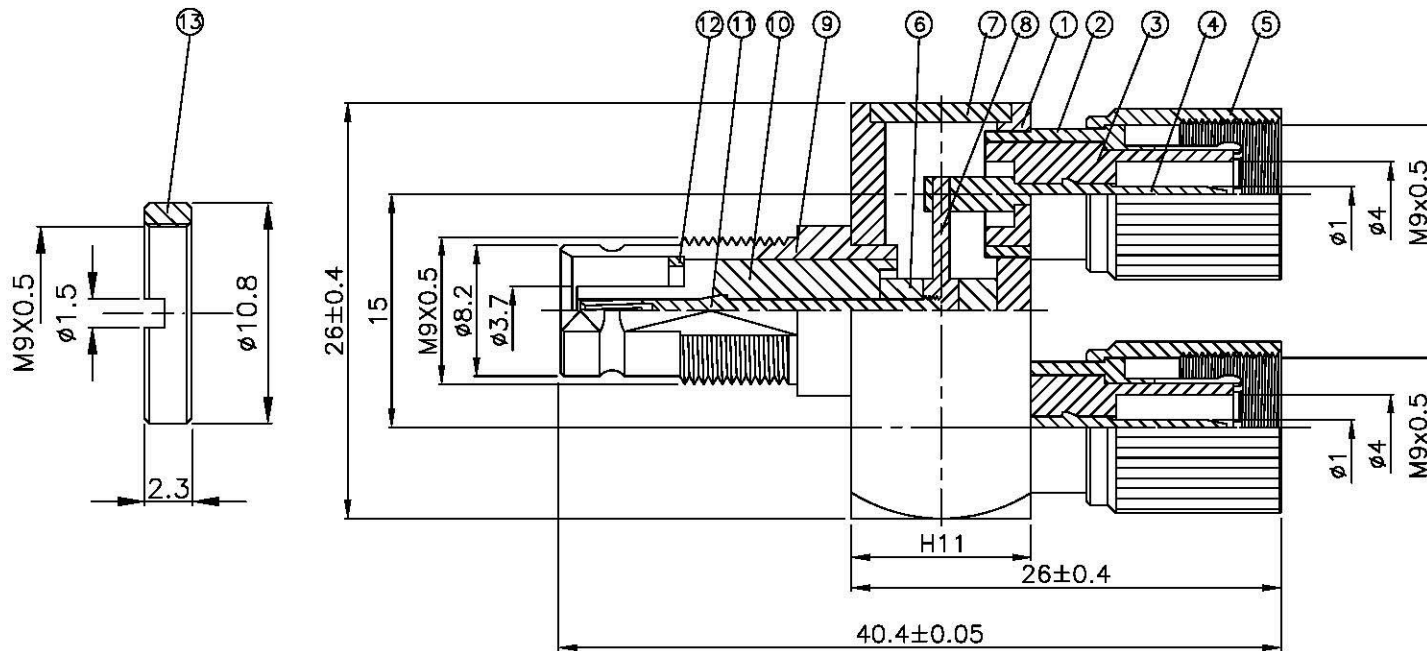
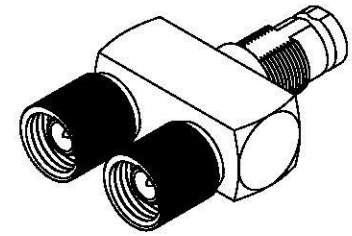


NO	DESCRIPTION	MATERIAL	Q'TY	FINISH
1	BODY 1	BRASS	2	NICKEL
2	BODY 2	BRASS	2	GOLD
3	INSULATION	TEFLON	2	TEFLON
4	PIN	BRASS	2	GOLD
5	BODY 3	BRASS	2	NICKEL
6	INSULATION	TEFLON	1	TEFLON
7	WASHER	BRASS	2	NICKEL
8	PIN	BRASS	1	GOLD
9	BODY 4	BRASS	1	NICKEL
10	INSULATION	TEFLON	1	TEFLON
11	PIN	BRASS	1	GOLD
12	WASHER	BRASS	1	NICKEL
13	NUT	BRASS	1	GOLD



Allconnectors

www.allconnectors.de
Tel.: 0049 711 7009500
70791 Filioerstadt - Germany

info@allconnectors.de
Fax: 0049 711 7009504
Kettenerstr. 25

TITLE
1.6/5.6 PLUG TO JACK TO PLUG "Y" ADAPTOR

PART NO. 1656-117-TGN

DRAWING NO. 1656 117 TGN

DRAWN MARY

DATE 96.08.23

CHECKED

蘇志欣

DATE

Q.A.

蘇姿潔

DATE

APPROVAL

徐燦霖

DATE

REVISION

DATE

DIMENSIONS ARE IN MILLIMETERS

UNLESS OTHERWISE SPECIFIED TOLERANCE

0.5-5=±0.2 120-315=±1
5-30=±0.4 315-1000=±1.6
30-120=±0.6 1000-2000=±2.4

SCALE 4:1 SIZE A

REVISION

DESCRIPTION ENGINEER