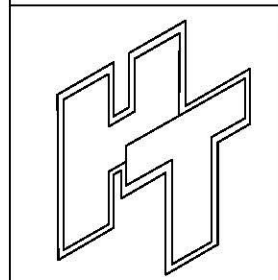
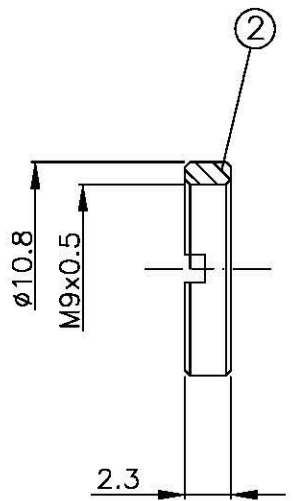
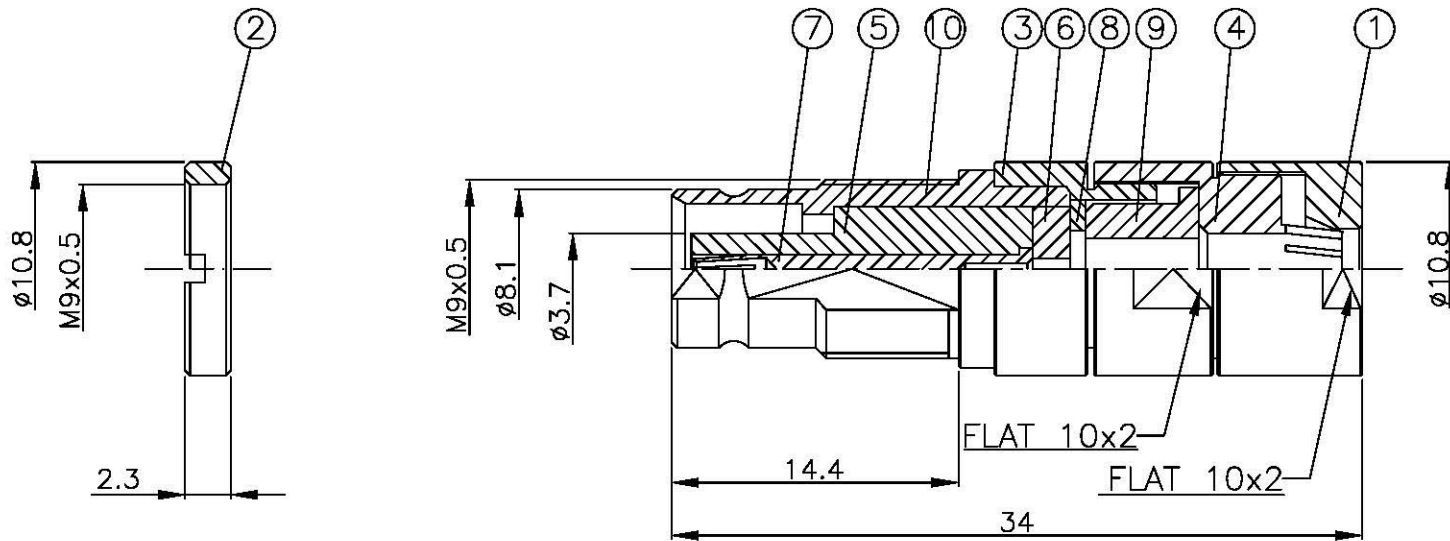
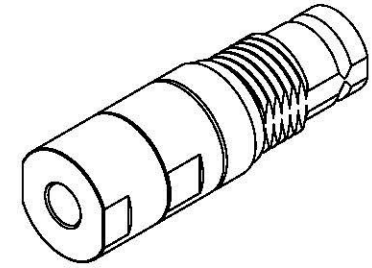
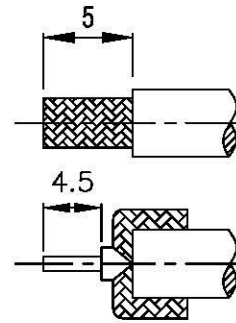


NO	DESCRIPTION	MATERIAL	Q'TY	FINISH
1	SCREW	BRASS	1	NICKEL
2	BODY	BRASS	1	GOLD
3	BODY	BRASS	1	NICKEL
4	BODY	BRASS	1	NICKEL
5	INSULATION	TEFLON	1	TEFLON
6	INSULATION	TEFLON	1	TEFLON
7	PIN	BE CU	1	GOLD
8	WASHER	BRASS	1	SILVER
9	SPIGOT	BRASS	1	SILVER
10	BODY	BRASS	1	NICKEL



All Connectors
 www.allconnectors.de
 Tel.: 0019 711 7009005
 70794 Filzschmid, Germany
 info@allconnectors.de
 Fax: 0019 711 7009001
 Kfz-Industrie, 25

TITLE
1.6/5.6 FEMALE CLAMP FOR
RG-59/U

PART NO.
1656-112G-TGN

DRAWING NO.
1656 112G TGN

DRAWN MARY **DATE** 96.08.26

CHECKED 蘇志欣 **DATE**

Q.A. 蘇姿潔 **DATE**

APPROVAL 徐燦霖 **DATE**

REVISION **DATE**

DIMENSIONS ARE IN MILLMETERS

UNLESS OTHERWISE SPECIFIED TOLERANCES

0.5-5 = ±0.2 120-315 = ±1
 5-30 = ±0.4 315-1000 = ±1.6
 30-120 = ±0.6 1000-2000 = ±2.4

SCALE 4:1 **SIZE** A

REVISION	
DESCRIPTION	ENGINEER