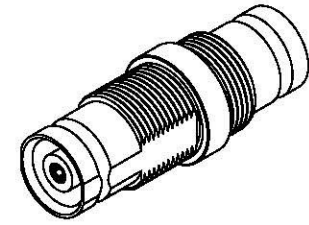
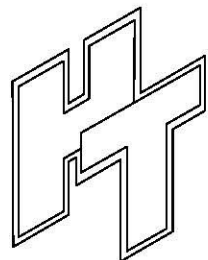
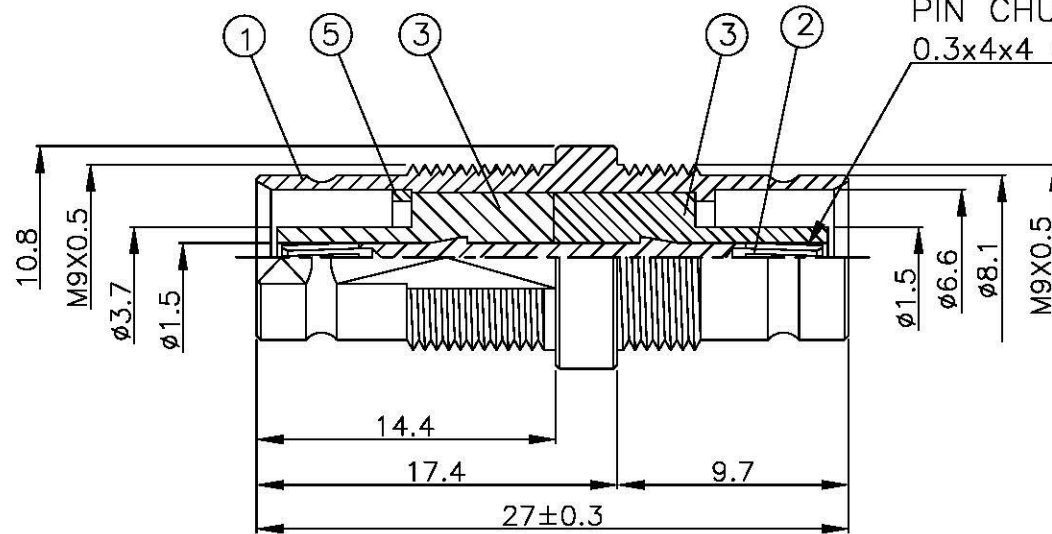
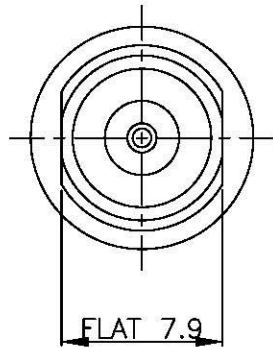
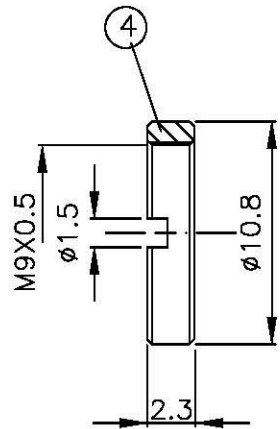


NO	DESCRIPTION	MATERIAL	Q'TY	FINISH	REMARK
1	BODY	BRASS	1	GOLD	B-16560537-G
2	PIN	PH BRONZE	1	GOLD	P-16560353-G
3	INSULATION	TEFLON	2	TEFLON	I-0257T
4	NUT	BRASS	1	NICKEL	N-0025-N
5	WASHER	BRASS	1	GOLD	W-0049-G



PIN CHUCK  
0.3x4x4 GROOVE



**All Connectors**

www.allconnectors.de  
Tel.: 0049 211 7005800  
20254 Elmstedt - Germany

Info@allconnectors.de  
Fax: 0049 211 700504  
Katharinenstr. 25

TITLE **1.6/5.6 BULKHEAD  
FEMALE-FEMALE ADAPTOR**

PART NO. **1656-110-TGG**

DRAWING NO. **1656 110 TGG**

DRAWN MARY DATE 96.05.17

CHECKED 蘇志欣 DATE

Q.A. 蘇姿潔 DATE

APPROVAL 徐燦霖 DATE

REVISION DATE

DIMENSIONS ARE IN MILLIMETERS

UNLESS OTHERWISE SPECIFIED  
TOLERANCES  
0.5-5=±0.2 120-315=±1  
5-30=±0.4 315-1000=±1.6  
30-120=±0.6 1000-2000=±2.4

SCALE 4:1 SIZE A

REVISION

DESCRIPTION ENGINEER