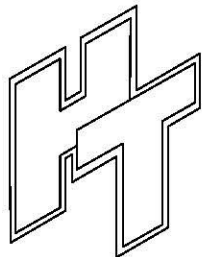
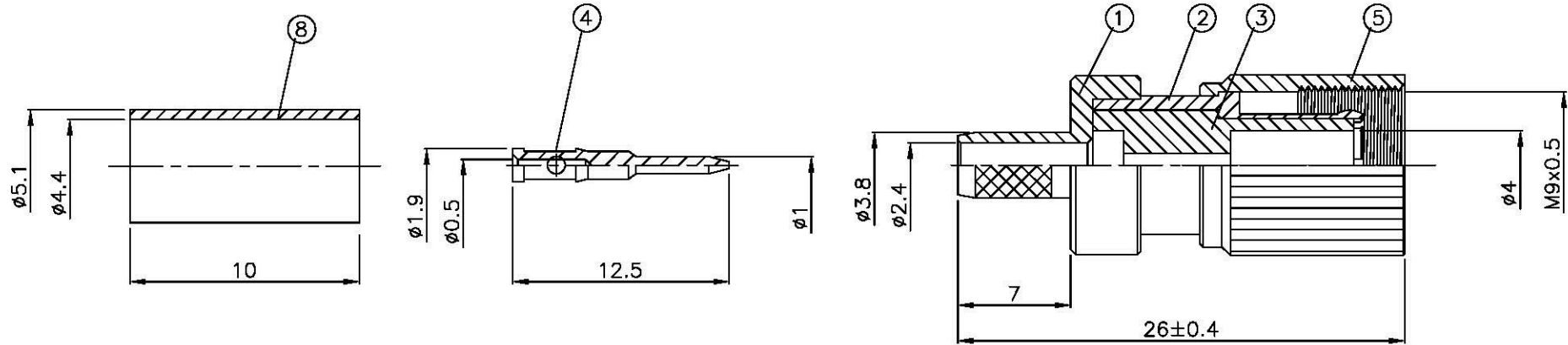
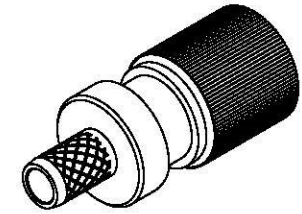
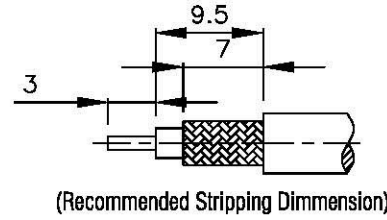


NO	DESCRIPTION	MATERIAL	Q'TY	FINISH	REMARK
1	BODY 1	BRASS	1	NICKEL	B-16560352-N
2	BODY 2	BRASS	1	GOLD	B-16560353-G
3	INSULATION	TEFLON	1	TEFLON	I-0176T
4	PIN	BRASS	1	GOLD	P-16560226-G
5	BODY 3	BRASS	1	NICKEL	B-16560354-N
6	RING	BRASS	1	NICKEL	R-0039-N



**Allconnectors**

www.allconnectors.de  
Tel.: 0049 711 2005500  
70794 Ulmerstadt - Germany

Info@allconnectors.de  
Fax: 0049 711 2005501  
Kettelerstr. 25

TITLE **1.6/5.6 MALE CRIMP  
FOR FLEX 3 (ST 212)**

PART NO. **1656-106V1C-TGN**

DRAWING NO. **1656 106V1C TGN**

DRAWN **MARY**

DATE **96.08.29**

CHECKED **蘇志欣**

DATE

Q.A. **蘇姿潔**

DATE

APPROVAL **徐燦霖**

DATE

REVISION

DATE

DIMENSIONS ARE IN MILLIMETERS

UNLESS OTHERWISE SPECIFIED  
TOLERANCE

0.5-5=±0.2	120-315=±1
5-30=±0.4	315-1000=±1.6
30-120=±0.6	1000-2000=±2.4

SCALE **4:1** SIZE **A**

REVISION

DESCRIPTION	ENGINEER