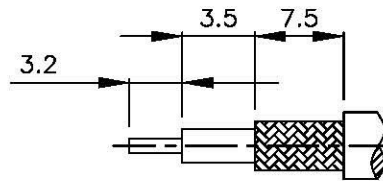
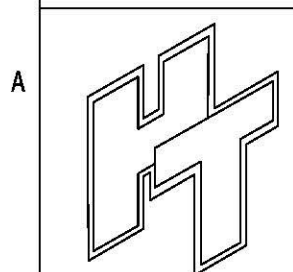
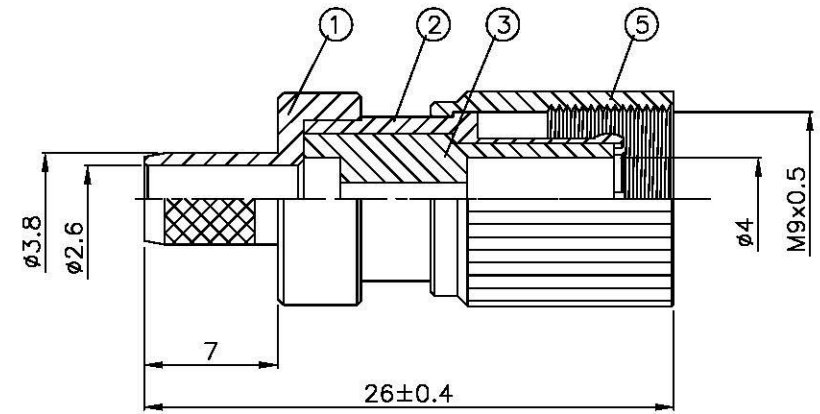
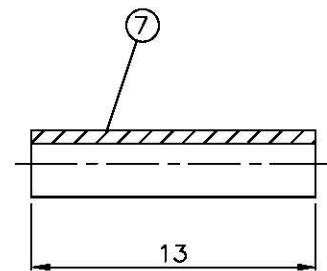
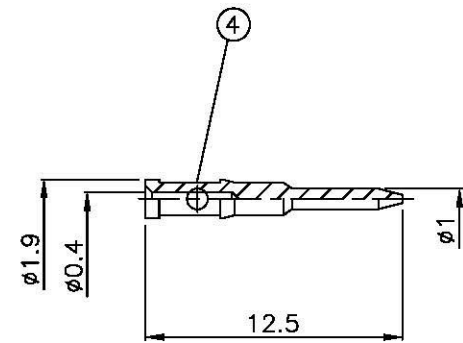
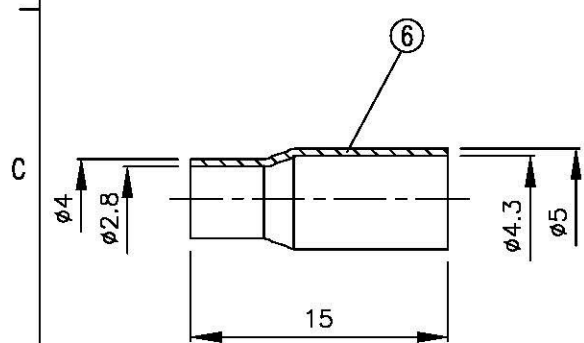
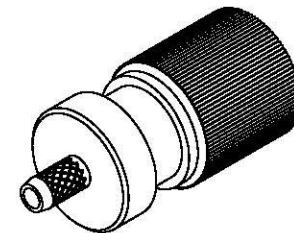


NO	DESCRIPTION	MATERIAL	Q'TY	FINISH	REMARK
1	BODY 1	BRASS	1	NICKEL	B-16560624-N
2	BODY 2	BRASS	1	GOLD	B-16560353-G
3	INSULATION	TEFLON	1	TEFLON	I-0176T
4	PIN	BRASS	1	GOLD	P-16560410-G
5	BODY 3	BRASS	1	NICKEL	B-16560354-N
6	RING	BRASS	1	NICKEL	R-0053-N
7	INSULATION	DELRIN	1	DELRIN	I-0293T



(Recommended Stripping Dimension)



**All Connectors**  
www.allconnectors.de      info@allconnectors.de  
 Tel: +49 (0) 41 713 100-001      Fax: +49 (0) 41 713 100-000  
 70794-Pfaffenhofen, Germany      Kemptenstr. 25

**TITLE** 1.6/5.6 MALE CRIMP  
FOR RG-179/U (75 OHM)

**PART NO.** 1656-106N-TGN

**DRAWING NO.** 1656 106N TGN

**DRAWN** MARY

**CHECKED** 蘇志欣

**Q.A.** 蘇姿潔

**APPROVAL** 徐燦霖

**REVISION**

**DATE** 96.08.29

**DATE**

**DATE**

**DATE**

**DATE**

**DIMENSIONS ARE IN MILLIMETERS**

**UNLESS OTHERWISE SPECIFIED TOLERANCE**

0.5-5=±0.2      120-315=±1  
 5-30=±0.4      315-1000=±1.6  
 30-120=±0.6      1000-2000=±2.4

**SCALE** 4:1      **SIZE** A

REVISION	
DESCRIPTION	ENGINEER