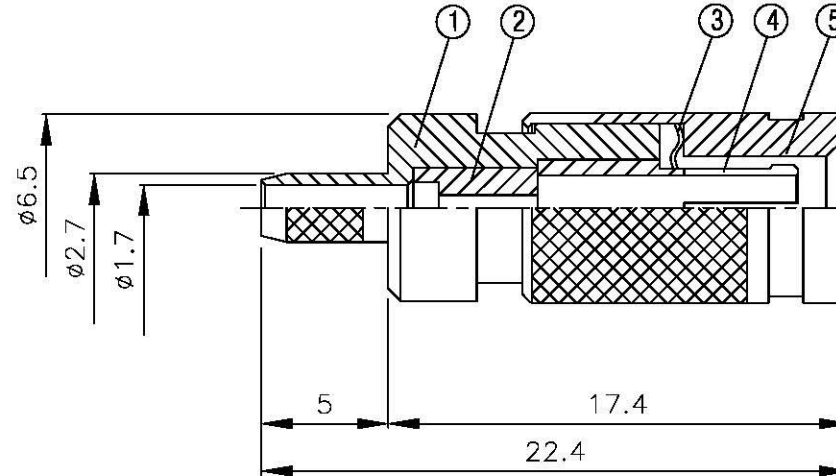
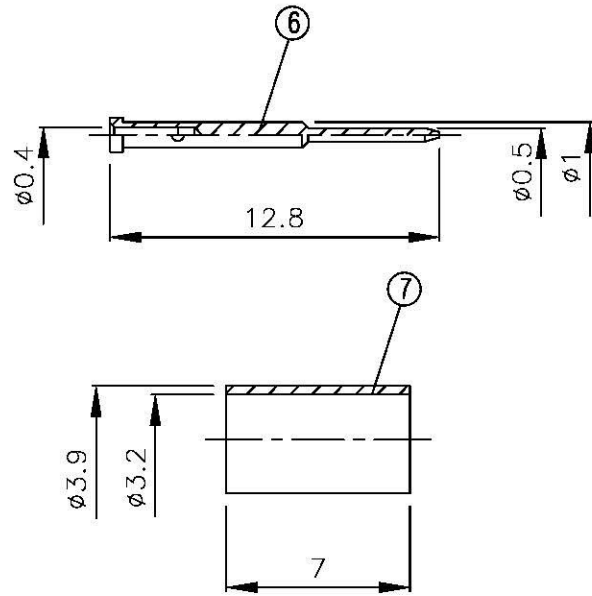
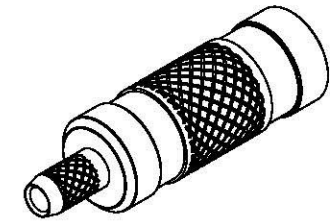


NO	DESCRIPTION	MATERIAL	Q'TY	FINISH
1	BODY 1	BRASS	1	NICKEL
2	INSULATION	TEFLON	1	TEFLON
3	WASHER	BRASS	1	NICKEL
4	BODY 2	BE CU	1	GOLD
5	BODY 3	BRASS	1	NICKEL
6	PIN	PH.BRONZE	1	GOLD
7	RING	BRASS	1	NICKEL



	Allconnectors <small>www.allconnectors.de Tel.: 0049 7141 7008503 30794 Fliedersdorf, Germany</small>	DRAWN MARY CHECKED 蘇姿潔 Q.A. 馮健華 APPROVAL 徐燦霖 REVISION	DATE 92.08.20 DATE DATE DATE DATE	DIMENSIONS ARE IN MILLIMETERS UNLESS OTHERWISE SPECIFIED TOLERANCE 0.5-5=±0.2 120-315=±1 5-30=±0.4 315-1000=±1.6 30-120±0.6 1000-2000=±2.4	REVISION DESCRIPTION ENGINEER
	TITLE 1.0/2.3 MALE CRIMP FOR RG-179/U	PART NO. 1023-18N-TGN	DRAWING NO. 1023 18N TGN	SCALE 4:1 SIZE A	