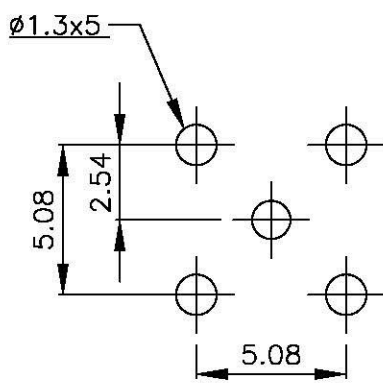
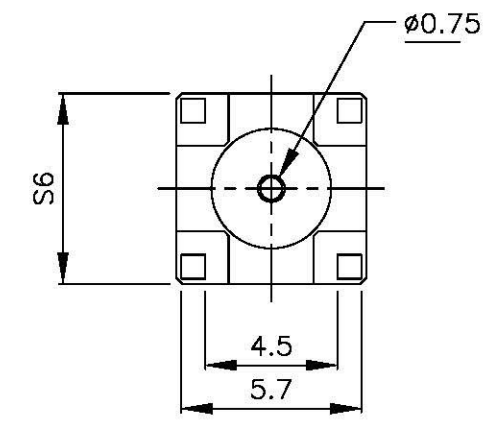
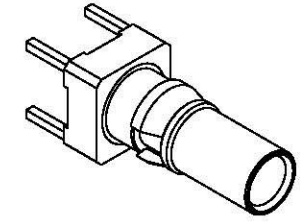
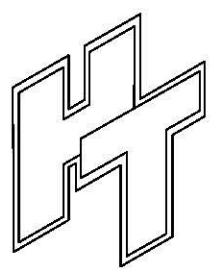
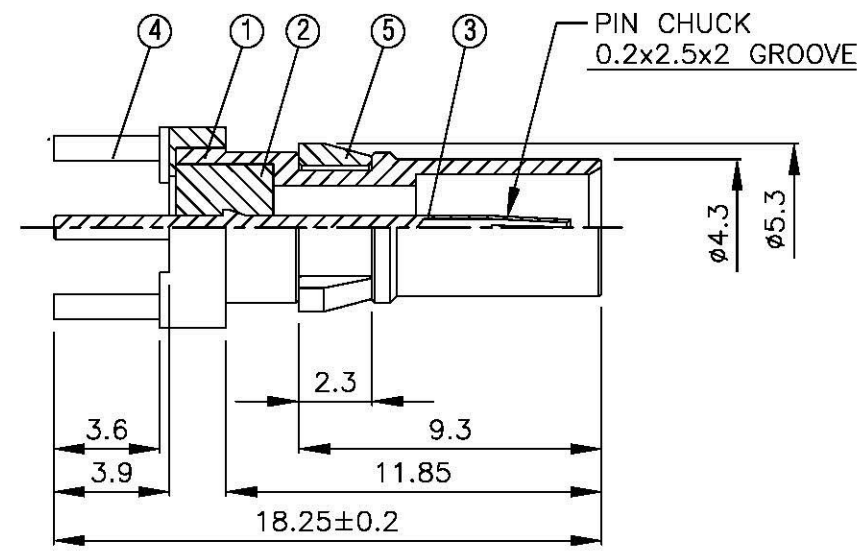


NO	DESCRIPTION	MATERIAL	Q'TY	FINISH	REMARK
1	BODY 1	BRASS	1	GOLD	B-10230713-G
2	INSULATION	TEFLON	1	TEFLON	I-0345T
3	PIN	BE CU	1	GOLD	P-10230496-G
4	BODY 3	BRASS	1	GOLD	B-10230593-G
5	WASHER	BE CU	1	NICKEL	W-0051-N



PC MOUNTING



**Allconnectors**  
 www.allconnectors.de info@allconnectors.de  
 Tel.: 0049 711 7061001 Fax: 0049 711 7061001  
 70721 Filderstadt - Germany Kettnerstr. 25

TITLE 1.0/2.3 FEMALE STRAIGHT FOR PCB (75 OHM)  
 PART NO. 1023-15-TGG-75  
 DRAWING NO. 1023 15 TGG-75

DRAWN MARY DATE 96.07.16  
 CHECKED 蘇志欣 DATE  
 Q.A. 蘇姿潔 DATE  
 APPROVAL 徐燦霖 DATE  
 REVISION DATE

DIMENSIONS ARE IN MILLIMETERS  
 UNLESS OTHERWISE SPECIFIED TOLERANCE  
 0.5-5=±0.2 120-315=±1  
 5-30=±0.4 315-1000=±1.6  
 30-120±0.6 1000-2000=±2.4  
 SCALE 4:1 SIZE A

REVISION	
DESCRIPTION	ENGINEER