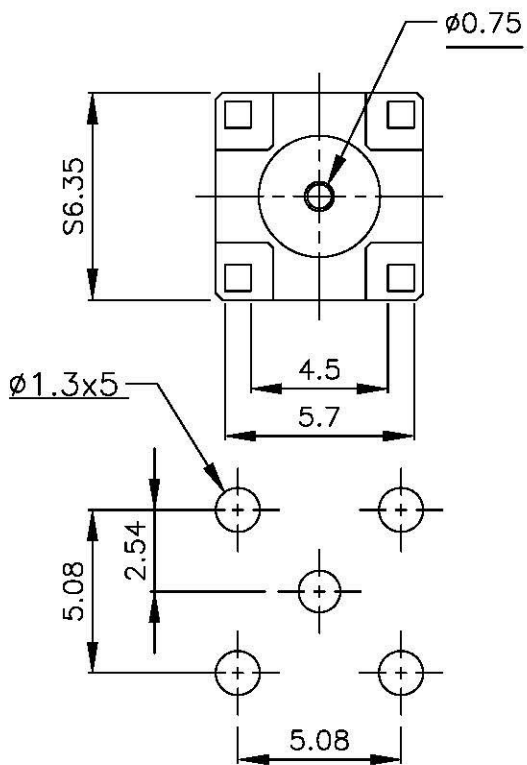
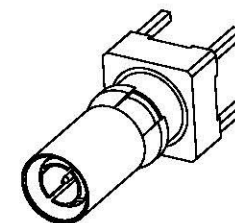
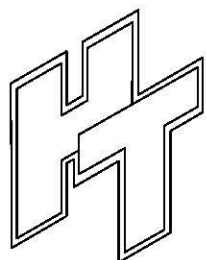
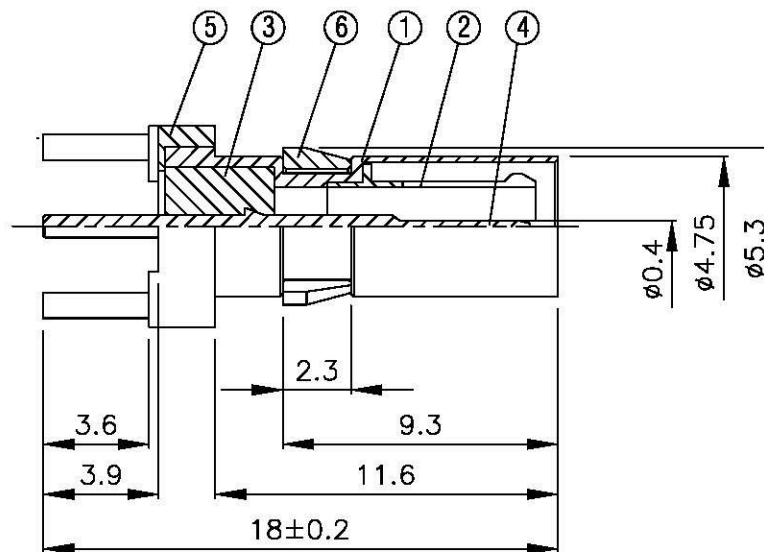


NO	DESCRIPTION	MATERIAL	Q'TY	FINISH	REMARK
1	BODY 1	BRASS	1	GOLD	B-10230710-G
2	BODY 2	BE CU	1	GOLD	B-10230708-G
3	INSULATION	TEFLON	1	TEFLON	I-0345T
4	PIN	BRASS	1	GOLD	P-10230492-G
5	BODY 3	BRASS	1	GOLD	B-10230593-G
6	WASHER	BE CU	1	NICKEL	W-0051-N



PC MOUNTING



All Connectors

www.allconnectors.de
 info@allconnectors.de
 Tel.: 0049 211 7065100
 70723 Filderstadt - Germany
 Fax: 0049 211 7065101
 Kettnerstr. 25

TITLE 1.0/2.3 FEMALE STRAIGHT FOR
 PRINTEDCIRCUIT BOARD (75 OHM)

PART NO. 1023-14-TGG-75

DRAWING NO. 1023 14 TGG-75

DRAWN	MARY	DATE	96.07.16
CHECKED	蘇志欣	DATE	
Q.A.	蘇姿潔	DATE	
APPROVAL	徐燦霖	DATE	
REVISION		DATE	

DIMENSIONS ARE IN MILLIMETERS

UNLESS OTHERWISE SPECIFIED TOLERANCE	
0.5-5=±0.2	120-315=±1
5-30= ±0.4	315-1000=±1.6
30-120±0.6	1000-2000=±2.4

SCALE 4:1 SIZE A

REVISION

DESCRIPTION	ENGINEER