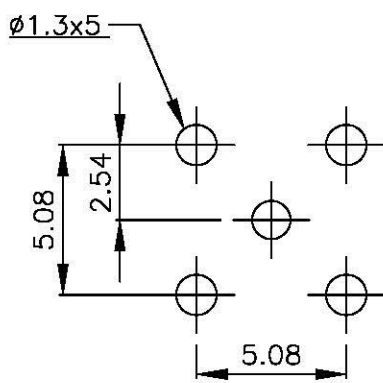
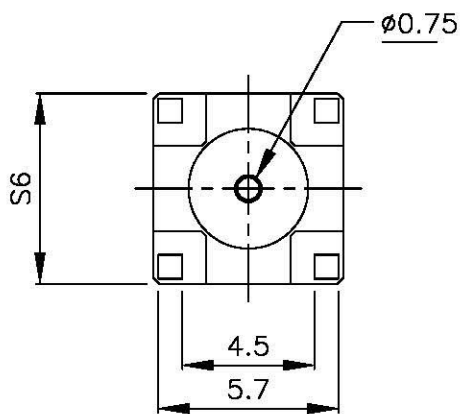
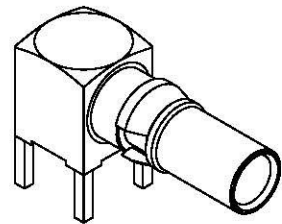
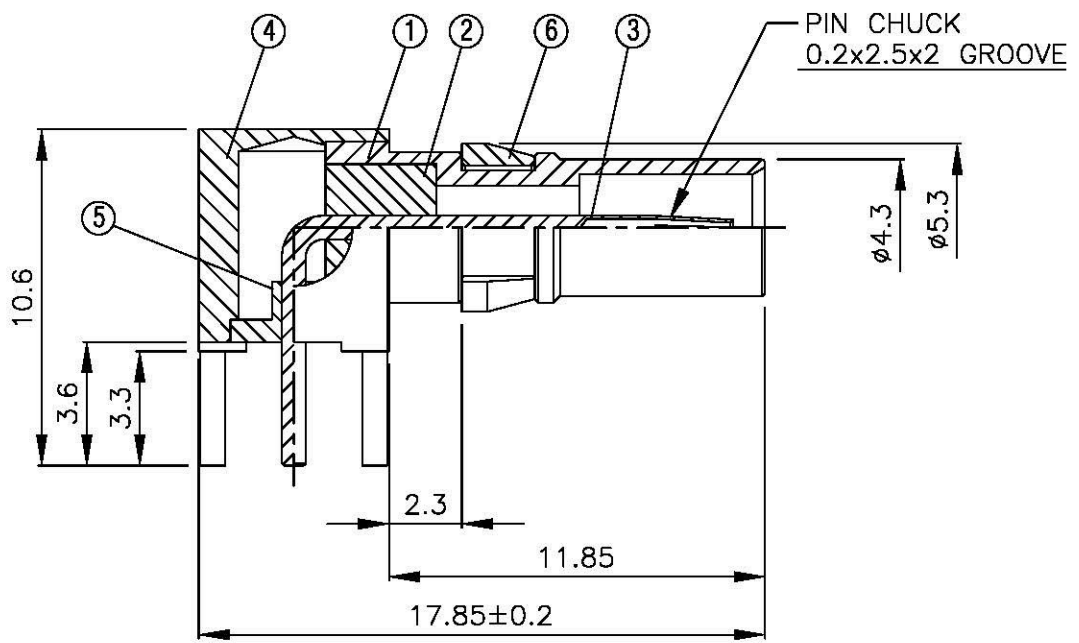


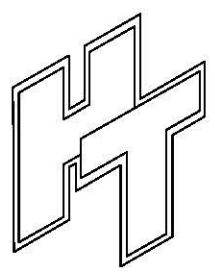
NO	DESCRIPTION	MATERIAL	Q'TY	FINISH	REMARK
1	BODY 1	BRASS	1	GOLD	B-10230713-G
2	INSULATION	TEFLON	1	TEFLON	I-0345T
3	PIN	BRASS	1	GOLD	P-10230495-G
4	BODY 3	BRASS	1	GOLD	B-10230592-G
5	INSULATION	TEFLON	1	TEFLON	I-0344T
6	WASHER	BE CU	1	NICKEL	W-0051-N



PC MOUNTING



PIN CHUCK
0.2x2.5x2 GROOVE



All Connectors
 www.allconnectors.de
 Tel.: 0049 741 7009509
 30794 Pilsberstadt, Germany
 info@allconnectors.de
 Fax: 0049 741 7009504
 kettenstr. 25

TITLE 1.0/2.3 FEMALE ANGLE PCB MOUNT
-75 ohm

PART NO. 1023-13-TGG-75

DRAWING NO. 1023 13 TGG-75

DRAWN MARY DATE 96.07.16

CHECKED 蘇志欣 DATE

Q.A. 蘇姿潔 DATE

APPROVAL 徐燦霖 DATE

REVISION DATE

DIMENSIONS ARE IN MILLIMETERS

UNLESS OTHERWISE SPECIFIED TOLERANCE

0.5-5=±0.2 120-315=±1

5-30=±0.4 315-1000=±1.6

30-120±0.6 1000-2000=±2.4

SCALE 4:1 SIZE A

REVISION	
DESCRIPTION	ENGINEER