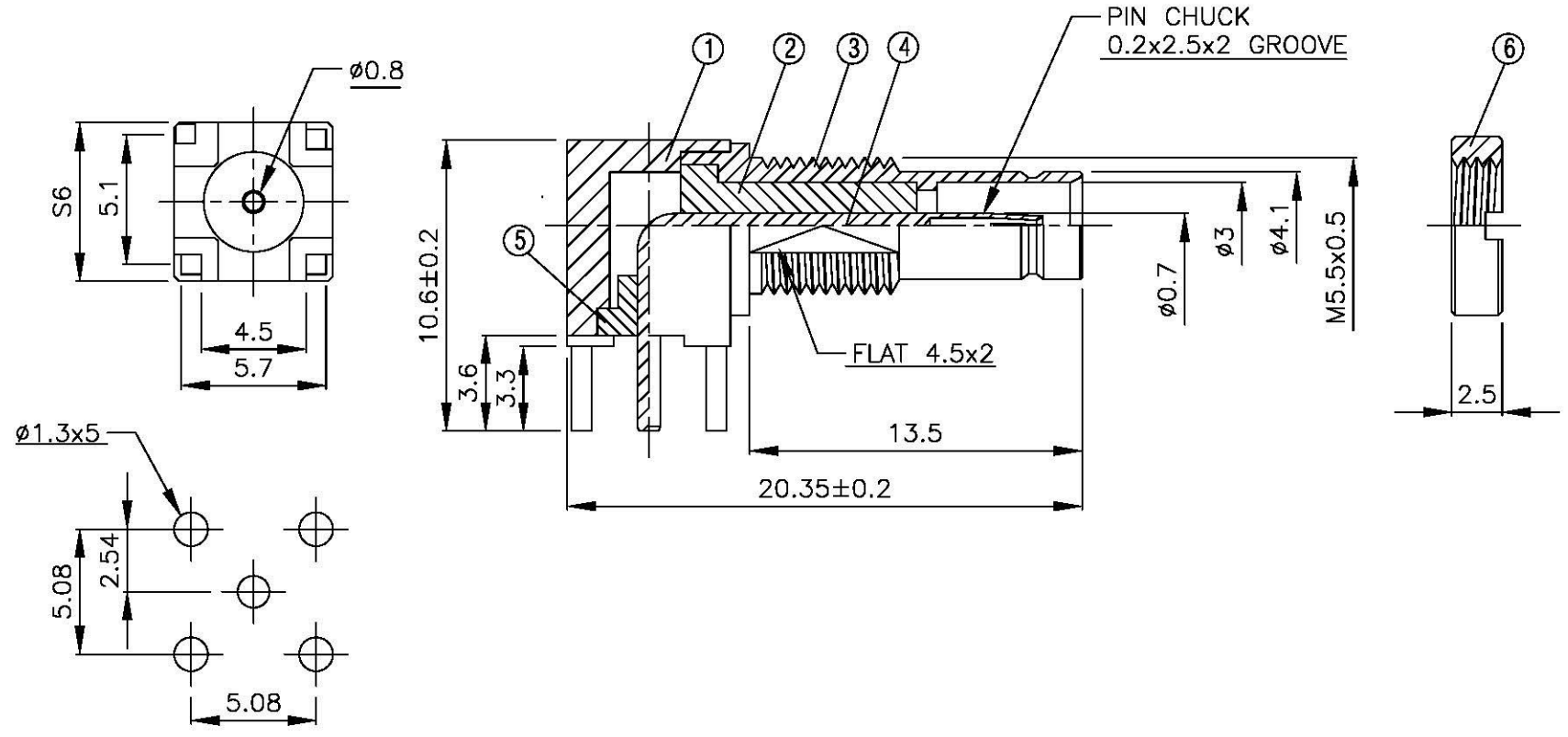
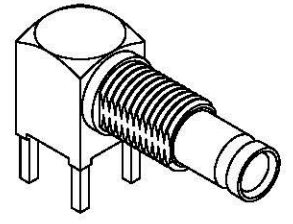
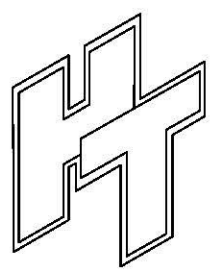


NO	DESCRIPTION	MATERIAL	Q'TY	FINISH
1	BODY 1	BRASS	1	GOLD
2	INSULATION	TEFLON	1	TEFLON
3	BODY 2	BRASS	1	GOLD
4	PIN	BE CU	1	GOLD
5	INSULATION	TEFLON	1	TEFLON
6	NUT	BRASS	1	NICKEL



PC MOUNTING



All Connectors
 www.allconnectors.de
 Tel.: 0019 711 7009008
 70794 Filberstadt, Germany
 info@allconnectors.de
 Fax: 0019 711 7009001
 Kollernstraße, 25

TITLE 1.0/2.3 FEMALE ANGLE PCB MOUNT (75ohm)
PART NO. 1023-06-TGG-75
DRAWING NO. 1023 06 TGG-75

DRAWN MARY
CHECKED 蘇志欣
Q.A. 蘇姿潔
APPROVAL 徐燦霖
REVISION

DATE 96.07.16
DATE
DATE
DATE

DIMENSIONS ARE IN MILLIMETERS

UNLESS OTHERWISE SPECIFIED TOLERANCE

0.5-5=±0.2	120-315=±1
5-30=±0.4	315-1000=±1.6
30-120±0.6	1000-2000=±2.4

SCALE 4:1 **SIZE** A

REVISION	
DESCRIPTION	ENGINEER