

.079"(2.0mm) Mini Jumper

Specifications:

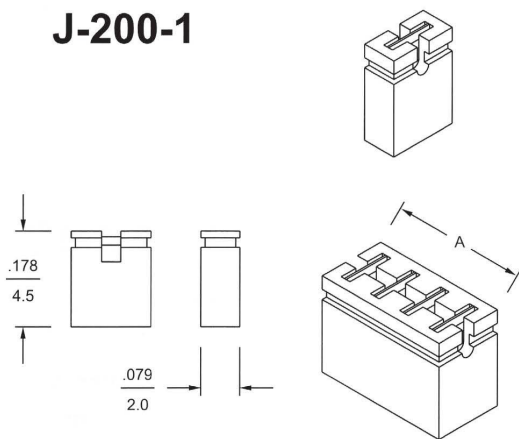
- Current rating: 1A
- Withstand voltage: AC 500V/minute
- Insulation resistance: 5000MΩ Min., 500V DC/minute
- Temperature range: -40 °C ~ 105 °C

J-200-x Series Mini Jumper

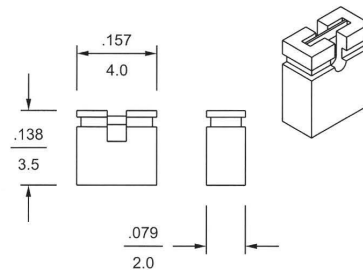
inches
mm

- Contact material: Brass
- Insulator material: Polyester, UL 94V-0
- Open type or close type
- Easiest way of programming by simply connecting contact points together
- Easy applied-No soldering.
- All side stackable.
- Low cost alternative to DIP switch.
- Mates with 4502, 4503, 4504, 4505, 4522, 4523, 4524 headers
- Standard color: Black

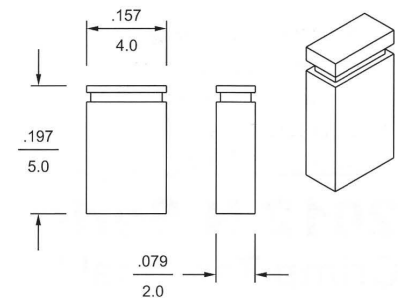
J-200-1



J-200-2



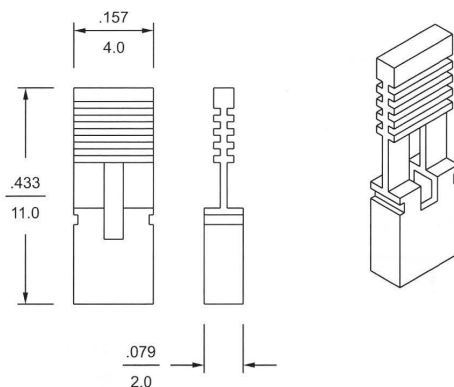
J-200-3



Note:

A = 2.0 x N
 (N = 4 ~ 20)

J-200-4



J-200-5

