

MATERIAL

Insulator : PBT+30% Glass fiber

Contact Pin : Phosphor bronze

SPECIFICATION

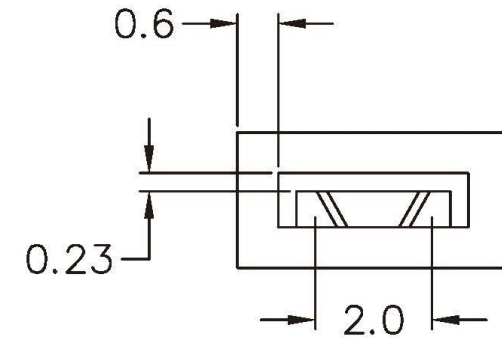
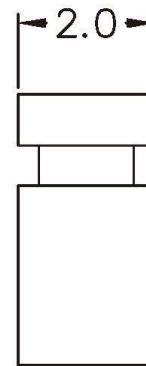
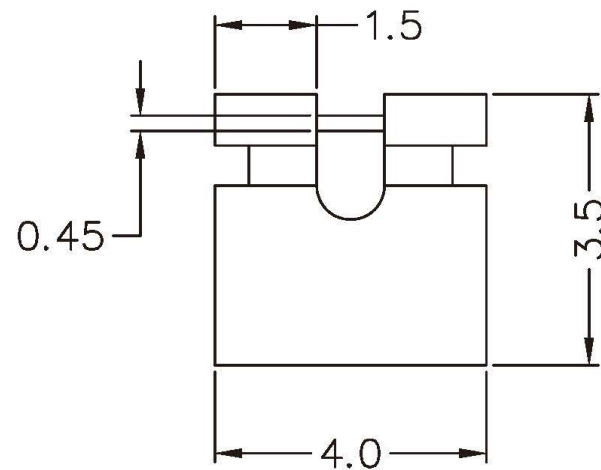
Current Rate : 1 AMP

Insulation Resistance : 5000M Ω Min. at DC 500V

Contact Resistance : 20m Ω Max. at DC 100mA

Dielectric Voltage : 250V AC for one minute

Operation Temperature : -55°C to +105°C



RoHS Compliant

TOLERANCES ARE

All Connectors

DRAWING BY CY

CHECKED BY GENIUS

UNIT/mm

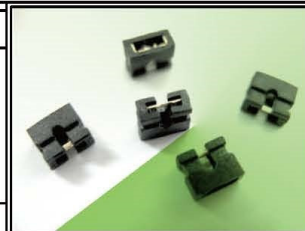
SCALE 1:1

DATE

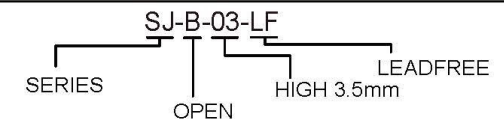
SIZE A4

PROJECTION

X ±
 .X ± 0.30
 .XX ± 0.20
 .XXX ±
 ANG ±



ORDER INFORMATION



DESCRIPTION: MINI JUMPER 2.0mm OPEN 3.5mm

www.allconnectors.de

info@allconnectors.de

Tel.: 0049 711 7009503

Fax: 0049 711 7009504

70794 Filderstadt - Germany

Kettenerstr. 25