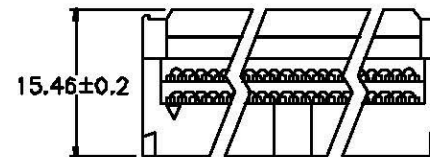
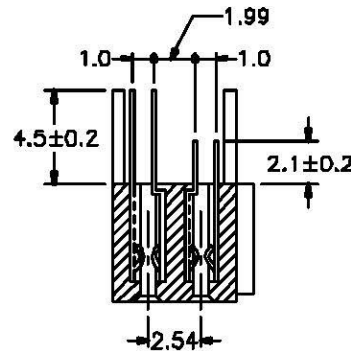
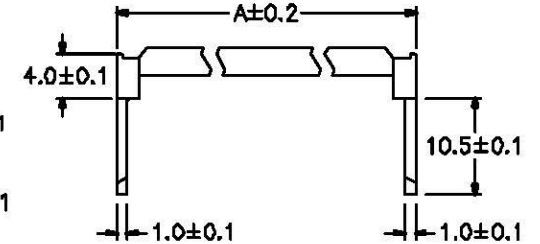
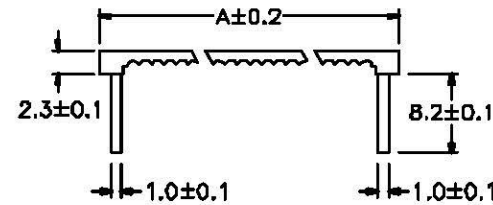
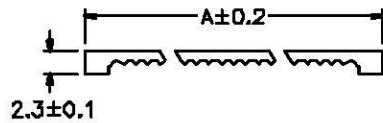


Position	Dimension			
	A±0.1	B	C±0.1	D±0.1
20	18.52	11.43	15.99	7.300
26	22.33	15.24	19.80	9.205
32	26.14	19.05	23.60	11.110
34	27.41	20.32	24.88	11.745
40	31.22	24.13	28.68	13.650
50	37.57	30.48	35.04	16.825
52	38.84	31.75	36.30	17.480
60	43.92	36.83	41.40	20.000
68	49.00	41.91	46.46	22.540
80	56.62	49.53	54.09	26.350
100	69.32	62.23	66.79	32.700



HF-C3-xxx-LF  
LEADFREE

RoHS Compliant

**Allconnectors**

www.allconnectors.de  
Tel.: 0049 711 7009303  
20794 Filderstadt, Germany

info@allconnectors.de  
Fax: 0049 711 7009001  
Kellerstr. 25

PART NO. HF-C3-xxx

DWG NO. HF-C3-xxx

FILE NO.

UNIT / mm

SCALE 1:1

CHECKED BY CY

DRAWING BY

PROJECTION

TOLERANCES ARE

.X±0.2  
.XX±  
.XXX±  
AWG

DESCRIPTION:

AREA

**I.D.C Socket**  
**1.27mmX2.54mm**

REVISIONS

HK

DATE