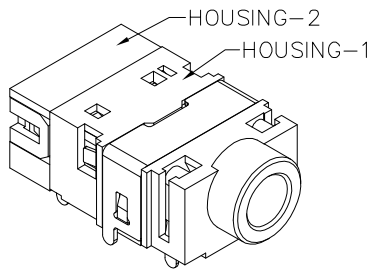


F E D C B A

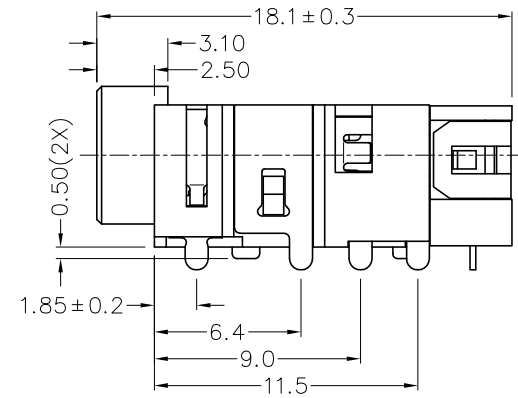
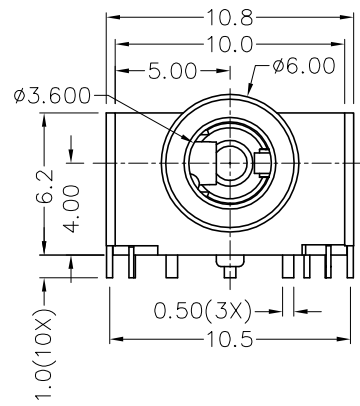
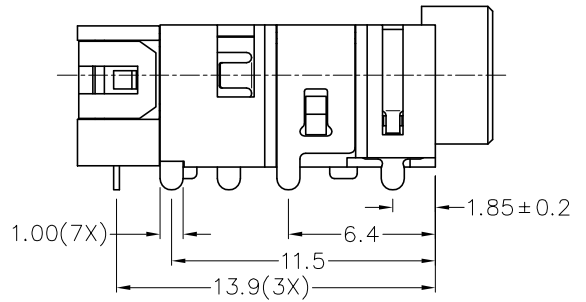


RoHS  
Compliant

ZONE	SYMBOL	REVISION	APPROVAL	DATE

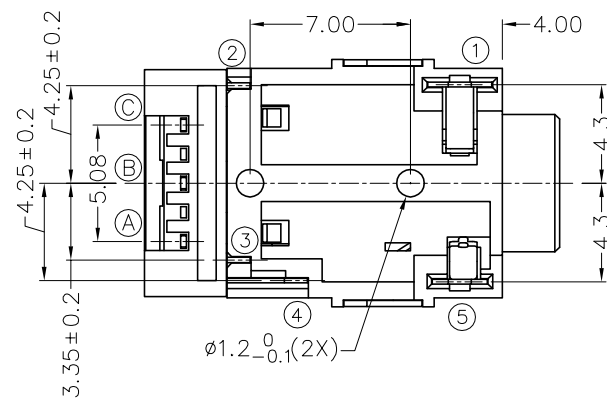
1

1



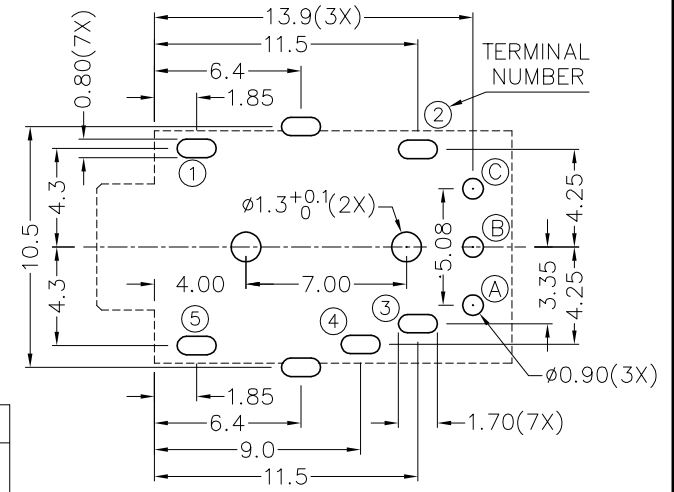
2

2



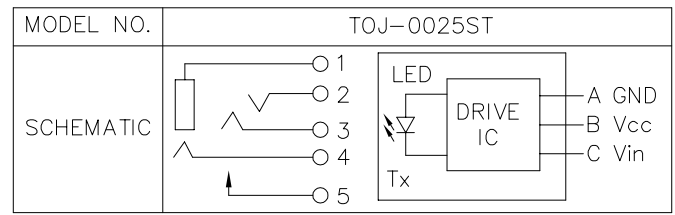
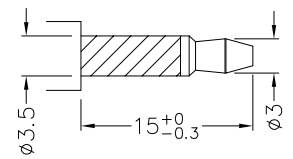
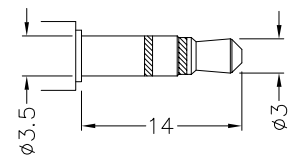
\* MATERIAL

- TERMINAL 1 : COPPER ALLOY
- TERMINAL 2 : COPPER ALLOY
- TERMINAL 3 : COPPER ALLOY
- TERMINAL 4 : COPPER ALLOY
- TERMINAL 5 : COPPER ALLOY
- SHIELD : BRASS
- HOUSING-1 : PA9T
- HOUSING-2 : PA9T
- COVER : PA9T
- DRIVE IC :



3

3



4

4

**Allconnectors**  
www.allconnectors.eu | info@allconnectors.eu  
Tel. +49 (0)711 / 358 110 20 | Fax +49 (0)711 / 358 110 25

DESIGN	G.P.YI	DATE	14-1-2009	SCALE	3:1
DRAWING	T.Y.LI	DATE	31-3-2009	MATERIAL	*
CHECK		DATE		DWG. NO.	TZ\0J002ST-PA9T/A
APPROVAL		DATE		SHEET	

PART NAME	3.5mm STEREO JACK/OPTO	TOLERANCE UNLESS	0.0±0.2	UNIT:	mm
PART NO.	TOJ-002ST	OTHERWISE SPECIFIED:	0.00±0.1 0.000±0.05		

F E D C B A