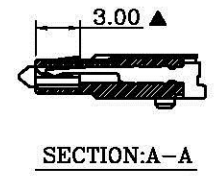
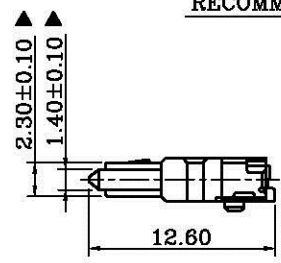
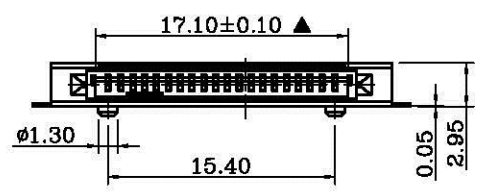


RECOMMENDED P.C.B LAYOUT

**ORDERING INFORMATION**

**P0 M 20 U - C 6 T**  
 (1) (2) (3) (4) (5)(6)(7)

- SERIES NO.  
P0: IO CONNECTOR SERIES
- USB MALE & FEMALE TYPE  
M: MALE
- NUMBER OF PIN  
20: 20 POSITIONS
- TAIL CONSTRUCTION TYPE  
U: TERMINAL: SMD TYPE  
SHELL: SMD TYPE
- HOUSING COLOR  
C:COLOR:BLACK AND MATERIAL :LCP
- CONTACT PLATING  
1: G/F                      2: 5u'GOLD  
3: 10u'GOLD            4: 15u'GOLD  
5: 30u'GOLD            6: 3u'GOLD
- SHELL PLATING  
T: TIN PLATING



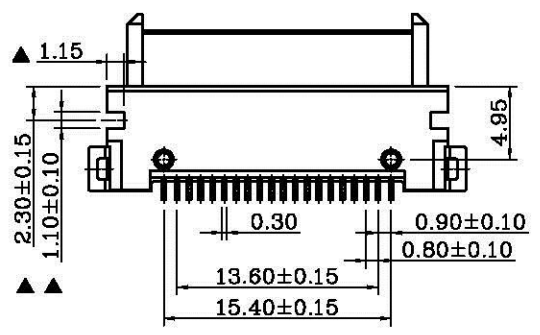
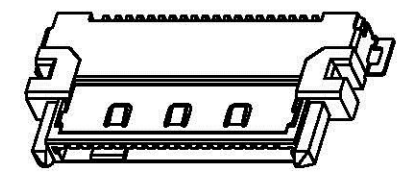
SECTION:A-A

**MATERIAL SPECIFICATION:**

- HOUSING:HEIGHT TEMP. PLASTIC(UL94V-0)
- CONTACT:COPPER ALLOY
- SHELL:COPPER ALLOY

**ELECTRICAL PERFORMANCE**

- CURRENT RATING: 1.0A;
- RATED VOLTAGE(MAX.):30 VOLTS AC (RMS)
- DIELECTRIC STRENGTH:100V AC FOR 1 MINUTE BETWEEN ADJACENT TERMINAL, NO BREAKDOWN
- INSULATION RESISTANCE:500 MEGOHMS MIN. 100V DC FOR 1 MINUTE BETWEEN ADJACENT TERMINAL
- CONTACT RESISTANCE:30 MILLIOHM MAX.
- OPERATING TEMPERATURE:-25° to +85°



5			
4			
3			
2			
1			
NO.	DATE	DESCRIPTION	APPROVAL

<b>DRAWING:</b>	<b>GENERAL TOLERANCE</b>
Match	.X:±0.30    .X':=±2° .XX:±0.20    .XX':=±1° .XXX:±0.10    .XXX':=±0.5°
<b>CHECKED:</b>	UNIT: MM    PROJECTION:
Fahir	SCALE: 1/1
<b>APPROVAL:</b>	SHEET: 1/1
Toms	

<small>www.allconnectors.com T: +0049 711 7006503 70704 Hilderstein - Germany</small>		
<small>info@allconnectors.com E: +0049 711 7006504 Ketteimerstr. 25</small>		
<b>DESCRIPTION:</b>		
IO Connector 20Pin Male		
<b>PART NO:</b>	P0M20U-C6T	<b>REV:</b> 1.0
<b>DRAWING NO:</b>	P1P0M20U-C6T-01	<b>SIZE:</b> A4